

ELECTRO-MAGNETIC SOUND GENERATOR HY-05



HYCOM

DEVICE MANUFACTURING

■ FEATURE

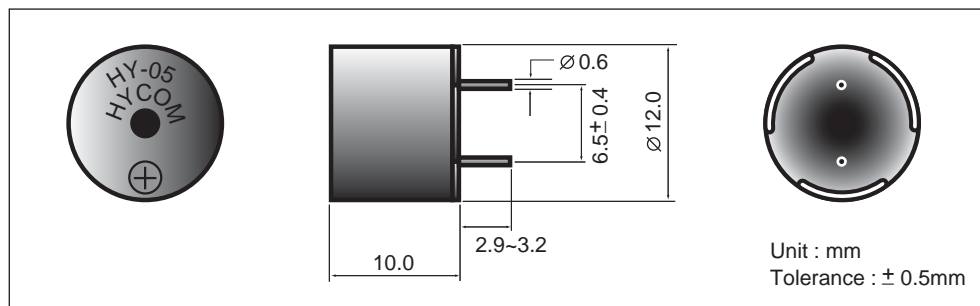
- NON-MECHANICAL CONTACTS AFFORD HIGH RELIABILITY AND LONG LIFE.
- HIGH SOUND PRESSURE AND NO ELECTRIC NOISE.
- STABILIZED SOUND QUALITY.
- SEALED DESIGN FOR AUTOMATIC SOLDERING AND WASHING.

■ SPECIFICATIONS

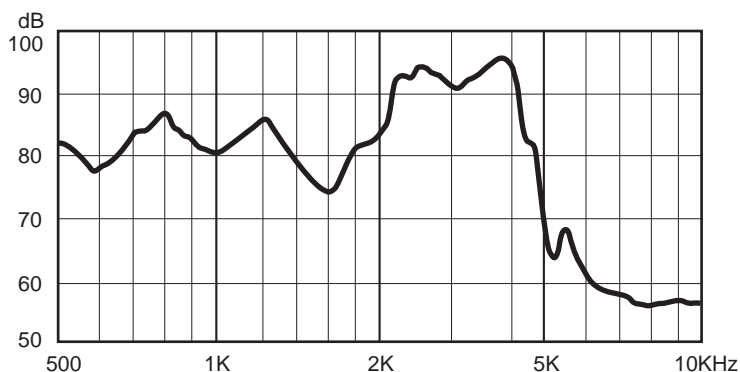
RATED VOLTAGE	(V)	5.0
OPERATING VOLTAGE	(V)	3.0 ~ 8.0
CURRENT CONSUMPTION	(mA)	50 Max
DC RESISTANCE	(ohm)	40 ± 10 %
SOUND OUTPUT AT 10CM*	(dB)	85 Min.
RESONANCE FREQUENCY	(Hz)	2400 ± 200
OPERATING TEMPERATURE	(C)	- 20 ~ +85
WEIGHT	(gm)	2.0

* VALUE APPLYING RATED VOLTAGE, 2400 Hz, 1/2 DUTY, SQUARE WAVE.

■ OUTLINE DIMENSIONS



■ FREQUENCY CHARACTERISTICS



POWER INPUT : 5.0 V, 1/2 DUTY
SQUARE WAVE.

DISTANCE FOR MEASUREMENT : 10 cm