

# MAX220-MAX249

## +5V電源、多チャンネルRS-232ドライバ/レシーバ

### 概要

MAX220~MAX249ファミリは、EIA/TIA-232EおよびV.28/V.24通信インタフェース用に設計されたラインドライバ/レシーバで、特に±12V電源が無いアプリケーションに最適です。

ローパワーシャットダウンモード時の消費電力は5μW以下となっており、特にバッテリー駆動のシステムに有効です。MAX225、MAX233、MAX235、およびMAX245/MAX246/MAX247は外付部品が不要で、プリント基板の省スペース化が重要なアプリケーションへの使用に推奨できます。

### アプリケーション

- ポータブルコンピュータ
- ローパワーモデム
- インタフェース変換
- バッテリー駆動RS-232システム
- マルチドロップRS-232ネットワーク

AutoShutdownおよびUCSPは、Maxim Integrated Products, Inc.の商標です。

### 選択ガイド

品名	電源電圧 (V)	RS-232 ドライバ/ レシーバ数	外付け コンデンサ 数	コンデンサ値 (公称) (μF)	SHDN及び スリー ステート	SHDN時 レシーバ アクティブ	データレート (kbps)	特長
MAX220	+5	2/2	4	0.1	—	—	120	超低電力、工業標準ピン配置
MAX222	+5	2/2	4	0.1	○	—	200	ローパワーシャットダウン
MAX223 (MAX213)	+5	4/5	4	1.0 (0.1)	○	○	120	MAX241+シャットダウン時アクティブなレシーバ
MAX225	+5	5/5	0	—	○	○	120	SOPパッケージ
MAX230 (MAX200)	+5	5/0	4	1.0 (0.1)	○	—	120	5ドライバ、シャットダウン付
MAX231 (MAX201)	+5 および +7.5~+13.2	2/2	2	1.0 (0.1)	—	—	120	標準+5V/+12Vまたはバッテリー電源、MAX232と同機能
MAX232 (MAX202)	+5	2/2	4	1.0 (0.1)	—	—	120 (64)	工業標準
MAX232A	+5	2/2	4	0.1	—	—	200	より高いスルーレート、小型コンデンサ
MAX233 (MAX203)	+5	2/2	0	—	—	—	120	外付けコンデンサ不要
MAX233A	+5	2/2	0	—	—	—	200	外付けコンデンサ不要、高スルーレート
MAX234 (MAX204)	+5	4/0	4	1.0 (0.1)	—	—	120	1488を置き換え
MAX235 (MAX205)	+5	5/5	0	—	○	—	120	外付けコンデンサ不要
MAX236 (MAX206)	+5	4/3	4	1.0 (0.1)	○	—	120	シャットダウン、スリーステート
MAX237 (MAX207)	+5	5/3	4	1.0 (0.1)	—	—	120	IBM PCシリアルポートを補完
MAX238 (MAX208)	+5	4/4	4	1.0 (0.1)	—	—	120	1488および1489を置き換え
MAX239 (MAX209)	+5 および +7.5~+13.2	3/5	2	1.0 (0.1)	—	—	120	標準+5V/+12Vまたはバッテリー電源、IBM PCシリアルポート用シングルパッケージソリューション
MAX240	+5	5/5	4	1.0	○	—	120	DIPまたはフラットバックパッケージ
MAX241 (MAX211)	+5	4/5	4	1.0 (0.1)	○	—	120	完全IBM PCシリアルポート
MAX242	+5	2/2	4	0.1	○	○	200	別々のシャットダウンおよびイネーブル
MAX243	+5	2/2	4	0.1	—	—	200	オープンライン検出でケーブリングを簡素化
MAX244	+5	8/10	4	1.0	—	—	120	高スルーレート
MAX245	+5	8/10	0	—	○	○	120	高スルーレート、コンデンサ内蔵、2個のシャットダウンモード
MAX246	+5	8/10	0	—	○	○	120	高スルーレート、コンデンサ内蔵、3個のシャットダウンモード
MAX247	+5	8/9	0	—	○	○	120	高スルーレート、コンデンサ内蔵、9個の動作モード
MAX248	+5	8/8	4	1.0	○	○	120	高スルーレート、ハーフチップイネーブル選択可能
MAX249	+5	6/10	4	1.0	○	○	120	クワッドフラットバックパッケージ

本データシートは日本語翻訳であり、相違及び誤りのある可能性があります。設計の際は英語版データシートを参照してください。

価格、納期、発注情報についてはMaxim Direct (0120-551056)にお問い合わせいただくか、Maximのウェブサイト (japan.maximintegrated.com) をご覧ください。

### 次世代デバイスの特長

#### バイポーラより優れた特徴

- ◆ 低電圧、ESD保護内蔵アプリケーション向け  
MAX3222E/MAX3232E/MAX3237E/MAX3241E/  
MAX3246E : +3.0V~+5.5V、低電力、最大  
1 Mbps、4つの0.1μF外付けコンデンサを用いる  
真のRS-232トランシーバ(MAX3246EはUCSP™  
パッケージで提供)
- ◆ 低コストアプリケーション向け  
MAX221E : ±15kV ESD保護、+5V、1μA、  
AutoShutdown™付きシングルRS-232トランシーバ

### 型番

PART	TEMP RANGE	PIN-PACKAGE
MAX220CPE	0°C to +70°C	16 Plastic DIP
MAX220CSE	0°C to +70°C	16 Narrow SO
MAX220CWE	0°C to +70°C	16 Wide SO
MAX220C/D	0°C to +70°C	Dice*
MAX220EPE	-40°C to +85°C	16 Plastic DIP
MAX220ESE	-40°C to +85°C	16 Narrow SO
MAX220EWE	-40°C to +85°C	16 Wide SO
MAX220EJE	-40°C to +85°C	16 CERDIP
MAX220MJE	-55°C to +125°C	16 CERDIP

型番の続きはデータシートの最後に記載されています。

\*Diceの詳細についてはお問い合わせ下さい。

# +5V電源、多チャネルRS-232ドライバ/レシーバ

MAX220-MAX249

## ABSOLUTE MAXIMUM RATINGS—MAX220/222/232A/233A/242/243

Supply Voltage (V <sub>CC</sub> )	-0.3V to +6V	18-Pin Plastic DIP (derate 11.11mW/°C above +70°C)	.889mW
V+ (Note 1)	(V <sub>CC</sub> - 0.3V) to +14V	20-Pin Plastic DIP (derate 8.00mW/°C above +70°C)	.440mW
V- (Note 1)	+0.3V to +14V	16-Pin Narrow SO (derate 8.70mW/°C above +70°C)	.696mW
Input Voltages		16-Pin Wide SO (derate 9.52mW/°C above +70°C)	.762mW
T <sub>IN</sub>	-0.3V to (V <sub>CC</sub> - 0.3V)	18-Pin Wide SO (derate 9.52mW/°C above +70°C)	.762mW
R <sub>IN</sub> (Except MAX220)	±30V	20-Pin Wide SO (derate 10.00mW/°C above +70°C)	.800mW
R <sub>IN</sub> (MAX220)	±25V	20-Pin SSOP (derate 8.00mW/°C above +70°C)	.640mW
T <sub>OUT</sub> (Except MAX220) (Note 2)	±15V	16-Pin CERDIP (derate 10.00mW/°C above +70°C)	.800mW
T <sub>OUT</sub> (MAX220)	±13.2V	18-Pin CERDIP (derate 10.53mW/°C above +70°C)	.842mW
Output Voltages		Operating Temperature Ranges	
T <sub>OUT</sub>	±15V	MAX2_AC_, MAX2_C_	0°C to +70°C
R <sub>OUT</sub>	-0.3V to (V <sub>CC</sub> + 0.3V)	MAX2_AE_, MAX2_E_	-40°C to +85°C
Driver/Receiver Output Short Circuited to GND	Continuous	MAX2_AM_, MAX2_M_	-55°C to +125°C
Continuous Power Dissipation (T <sub>A</sub> = +70°C)		Storage Temperature Range	-65°C to +160°C
16-Pin Plastic DIP (derate 10.53mW/°C above +70°C)	.842mW	Lead Temperature (soldering, 10s) (Note 3)	+300°C

**Note 1:** For the MAX220, V+ and V- can have a maximum magnitude of 7V, but their absolute difference cannot exceed 13V.

**Note 2:** Input voltage measured with T<sub>OUT</sub> in high-impedance state, SHDN or V<sub>CC</sub> = 0V.

**Note 3:** Maximum reflow temperature for the MAX233A is +225°C.

Stresses beyond those listed under "Absolute Maximum Ratings" may cause permanent damage to the device. These are stress ratings only, and functional operation of the device at these or any other conditions beyond those indicated in the operational sections of the specifications is not implied. Exposure to absolute maximum rating conditions for extended periods may affect device reliability.

## ELECTRICAL CHARACTERISTICS—MAX220/222/232A/233A/242/243

(V<sub>CC</sub> = +5V ±10%, C1–C4 = 0.1μF, MAX220, C1 = 0.047μF, C2–C4 = 0.33μF, T<sub>A</sub> = T<sub>MIN</sub> to T<sub>MAX</sub>, unless otherwise noted.)

PARAMETER	CONDITIONS		MIN	TYP	MAX	UNITS
<b>RS-232 TRANSMITTERS</b>						
Output Voltage Swing	All transmitter outputs loaded with 3kΩ to GND		±5	±8		V
Input Logic Threshold Low				1.4	0.8	V
Input Logic Threshold High	All devices except MAX220		2	1.4		V
	MAX220: V <sub>CC</sub> = 5.0V		2.4			
Logic Pullup/Input Current	All except MAX220, normal operation			5	40	μA
	SHDN = 0V, MAX222/MAX242, shutdown, MAX220			±0.01	±1	
Output Leakage Current	V <sub>CC</sub> = 5.5V, SHDN = 0V, V <sub>OUT</sub> = ±15V, MAX222/MAX242			±0.01	±10	μA
	V <sub>CC</sub> = SHDN = 0V	V <sub>OUT</sub> = ±15V		±0.01	±10	
		MAX220, V <sub>OUT</sub> = ±12V			±25	
Data Rate				200	116	kbps
Transmitter Output Resistance	V <sub>CC</sub> = V+ = V- = 0V, V <sub>OUT</sub> = ±2V		300	10M		Ω
Output Short-Circuit Current	V <sub>OUT</sub> = 0V	V <sub>OUT</sub> = 0V	±7	±22		mA
		MAX220			±60	
<b>RS-232 RECEIVERS</b>						
RS-232 Input Voltage Operating Range					±30	V
	MAX220				±25	
RS-232 Input Threshold Low	V <sub>CC</sub> = 5V	All except MAX243 R2 <sub>IN</sub>	0.8	1.3		V
		MAX243 R2 <sub>IN</sub> (Note 4)	-3			
RS-232 Input Threshold High	V <sub>CC</sub> = 5V	All except MAX243 R2 <sub>IN</sub>		1.8	2.4	V
		MAX243 R2 <sub>IN</sub> (Note 4)		-0.5	-0.1	

# +5V電源、多チャネルRS-232ドライバ/レシーバ

MAX220-MAX249

## ELECTRICAL CHARACTERISTICS—MAX220/222/232A/233A/242/243 (continued)

( $V_{CC} = +5V \pm 10\%$ ,  $C_1-C_4 = 0.1\mu F$ , MAX220,  $C_1 = 0.047\mu F$ ,  $C_2-C_4 = 0.33\mu F$ ,  $T_A = T_{MIN}$  to  $T_{MAX}$ , unless otherwise noted.)

PARAMETER	CONDITIONS		MIN	TYP	MAX	UNITS
RS-232 Input Hysteresis	All except MAX220/MAX243, $V_{CC} = 5V$ , no hysteresis in SHDN		0.2	0.5	1.0	V
	MAX220		0.3			
	MAX243		1			
RS-232 Input Resistance	$T_A = +25^\circ C$ (MAX220)		3	5	7	k $\Omega$
			3	5	7	
TTL/CMOS Output Voltage Low	$I_{OUT} = 3.2mA$		0.2		0.4	V
	$I_{OUT} = 1.6mA$ (MAX220)		0.4			
TTL/CMOS Output Voltage High	$I_{OUT} = -1.0mA$		3.5	$V_{CC} - 0.2$		V
TTL/CMOS Output Short-Circuit Current	Sourcing $V_{OUT} = GND$		-2	-10		mA
	Shrinking $V_{OUT} = V_{CC}$		10	30		
TTL/CMOS Output Leakage Current	$\overline{SHDN} = V_{CC}$ or $\overline{EN} = V_{CC}$ ( $\overline{SHDN} = 0V$ for MAX222), $0V \leq V_{OUT} \leq V_{CC}$		$\pm 0.05$		$\pm 10$	$\mu A$
EN Input Threshold Low	MAX242		1.4		0.8	V
EN Input Threshold High	MAX242		2.0	1.4		V
Operating Supply Voltage			4.5	5.5		V
V <sub>CC</sub> Supply Current ( $\overline{SHDN} = V_{CC}$ ), Figures 5, 6, 11, 19	No load	MAX220	0.5		2	$\mu A$
		MAX222/MAX232A/MAX233A/ MAX242/MAX243	4		10	
	3k $\Omega$ load both inputs	MAX220	12			
		MAX222/MAX232A/MAX233A/ MAX242/MAX243	15			
Shutdown Supply Current	MAX222/ MAX242	$T_A = +25^\circ C$	0.1		10	$\mu A$
		$T_A = 0^\circ C$ to $+70^\circ C$	2		50	
		$T_A = -40^\circ C$ to $+85^\circ C$	2		50	
		$T_A = -55^\circ C$ to $+125^\circ C$	3	5	100	
$\overline{SHDN}$ Input Leakage Current	MAX222/MAX242				$\pm 1$	$\mu A$
$\overline{SHDN}$ Threshold Low	MAX222/MAX242		1.4		0.8	V
$\overline{SHDN}$ Threshold High	MAX222/MAX242		2.0	1.4		V
Transition Slew Rate	$C_L = 50pF$ to 2500pF, $R_L = 3k\Omega$ to 7k $\Omega$ , $V_{CC} = 5V$ , $T_A = +25^\circ C$ , measured from +3V to -3V or -3V	MAX222/MAX232A/MAX233/ MAX242/MAX243	6	12	30	V/ $\mu s$
		MAX220	1.5	3	30.0	
Transmitter Propagation Delay TLL to RS-232 (Normal Operation), Figure 1	t <sub>PHLT</sub>	MAX222/MAX232A/MAX233/ MAX242/MAX243	1.3		3.5	$\mu s$
		MAX220	4		10	
	t <sub>PLHT</sub>	MAX222/MAX232A/MAX233/ MAX242/MAX243	1.5		3.5	
		MAX220	5		10	

**Note 4:** MAX243  $R_{2OUT}$  is guaranteed to be low when  $R_{2IN}$  is  $\geq 0V$  or is floating.

# +5V電源、多チャンネルRS-232ドライバ/レシーバ

MAX220-MAX249

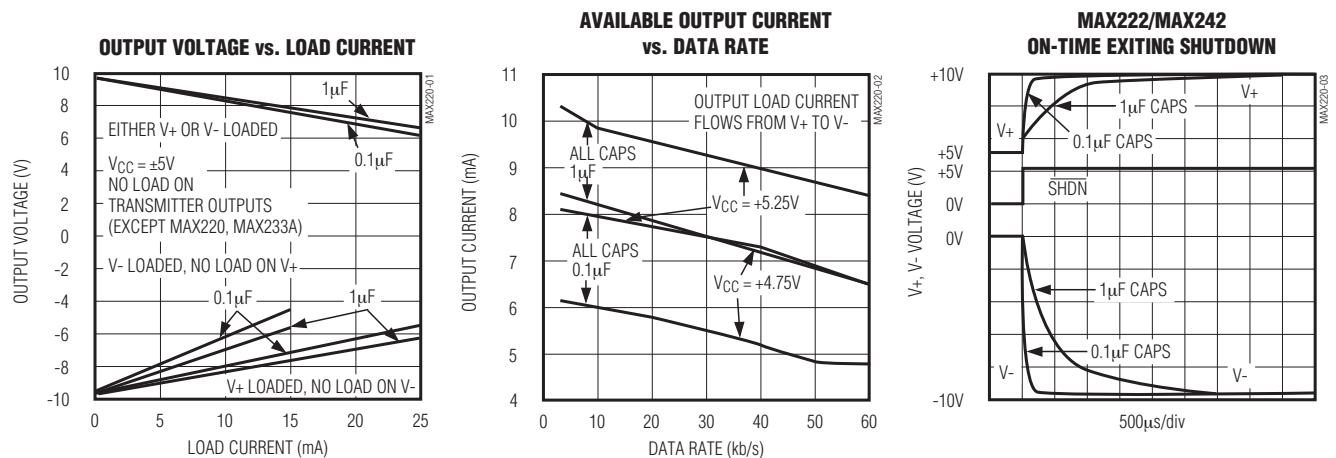
## ELECTRICAL CHARACTERISTICS—MAX220/222/232A/233A/242/243 (continued)

( $V_{CC} = +5V \pm 10\%$ ,  $C1-C4 = 0.1\mu F$ , MAX220,  $C1 = 0.047\mu F$ ,  $C2-C4 = 0.33\mu F$ ,  $T_A = T_{MIN}$  to  $T_{MAX}$ , unless otherwise noted.)

PARAMETER	CONDITIONS		MIN	TYP	MAX	UNITS
Receiver Propagation Delay RS-232 to TLL (Normal Operation), Figure 2	t <sub>PHLR</sub>	MAX222/MAX232A/MAX233/ MAX242/MAX243		0.5	1	μs
		MAX220		0.6	3	
	t <sub>PLHR</sub>	MAX222/MAX232A/MAX233/ MAX242/MAX243		0.6	1	
		MAX220		0.8	3	
Receiver Propagation Delay RS-232 to TLL (Shutdown), Figure 2	t <sub>PHLS</sub>	MAX242		0.5	10	μs
	t <sub>PHLS</sub>	MAX242		2.5	10	
Receiver-Output Enable Time, Figure 3	t <sub>ER</sub>	MAX242		125	500	ns
Receiver-Output Disable Time, Figure 3	t <sub>DR</sub>	MAX242		160	500	ns
Transmitter-Output Enable Time ( $\overline{SHDN}$ Goes High), Figure 4	t <sub>ET</sub>	MAX222/MAX242, 0.1μF caps (includes charge-pump start-up)		250		μs
Transmitter-Output Disable Time ( $\overline{SHDN}$ Goes Low), Figure 4	t <sub>DT</sub>	MAX222/MAX242, 0.1μF caps		600		ns
Transmitter + to - Propagation Delay Difference (Normal Operation)	t <sub>PHLT</sub> - t <sub>PLHT</sub>	MAX222/MAX232A/MAX233/ MAX242/MAX243		300		ns
		MAX220		2000		
Receiver + to - Propagation Delay Difference (Normal Operation)	t <sub>PHLR</sub> - t <sub>PLHR</sub>	MAX222/MAX232A/MAX233/ MAX242/MAX243		100		ns
		MAX220		225		

### 標準動作特性

## MAX220/MAX222/MAX232A/MAX233A/MAX242/MAX243



# +5V電源、多チャネルRS-232ドライバ/レシーバ

MAX220-MAX249

## ABSOLUTE MAXIMUM RATINGS—MAX223/MAX230—MAX241

V <sub>CC</sub> .....	-0.3V to +6V	20-Pin Wide SO (derate 10.00mW/°C above +70°C).....	800mW
V <sub>+</sub> .....	(V <sub>CC</sub> - 0.3V) to +14V	24-Pin Wide SO (derate 11.76mW/°C above +70°C).....	941mW
V <sub>-</sub> .....	+0.3V to -14V	28-Pin Wide SO (derate 12.50mW/°C above +70°C).....	1W
Input Voltages		44-Pin Plastic FP (derate 11.11mW/°C above +70°C).....	889mW
T <sub>IN</sub> .....	-0.3V to (V <sub>CC</sub> + 0.3V)	14-Pin CERDIP (derate 9.09mW/°C above +70°C).....	727mW
R <sub>IN</sub> .....	±30V	16-Pin CERDIP (derate 10.00mW/°C above +70°C).....	800mW
Output Voltages		20-Pin CERDIP (derate 11.11mW/°C above +70°C).....	889mW
T <sub>OUT</sub> .....	(V <sub>+</sub> + 0.3V) to (V <sub>-</sub> - 0.3V)	24-Pin Narrow CERDIP	
R <sub>OUT</sub> .....	-0.3V to (V <sub>CC</sub> + 0.3V)	(derate 12.50mW/°C above +70°C).....	1W
Short-Circuit Duration, T <sub>OUT</sub> .....	Continuous	24-Pin Sidebrazed (derate 20.0mW/°C above +70°C).....	1.6W
Continuous Power Dissipation (T <sub>A</sub> = +70°C)		28-Pin SSOP (derate 9.52mW/°C above +70°C).....	762mW
14-Pin Plastic DIP (derate 10.00mW/°C above +70°C).....		Operating Temperature Ranges	
16-Pin Plastic DIP (derate 10.53mW/°C above +70°C).....		MAX2 __ C .....	0°C to +70°C
20-Pin Plastic DIP (derate 11.11mW/°C above +70°C).....		MAX2 __ E .....	-40°C to +85°C
24-Pin Narrow Plastic DIP		MAX2 __ M .....	-55°C to +125°C
(derate 13.33mW/°C above +70°C).....		Storage Temperature Range .....	-65°C to +160°C
24-Pin Plastic DIP (derate 9.09mW/°C above +70°C).....		Lead Temperature (soldering, 10s) (Note 4).....	+300°C
16-Pin Wide SO (derate 9.52mW/°C above +70°C).....			

**Note 4:** Maximum reflow temperature for the MAX233/MAX235 is +225°C.

Stresses beyond those listed under "Absolute Maximum Ratings" may cause permanent damage to the device. These are stress ratings only, and functional operation of the device at these or any other conditions beyond those indicated in the operational sections of the specifications is not implied. Exposure to absolute maximum rating conditions for extended periods may affect device reliability.

## ELECTRICAL CHARACTERISTICS—MAX223/MAX230—MAX241

(MAX223/230/232/234/236/237/238/240/241, V<sub>CC</sub> = +5V ±10%; MAX233/MAX235, V<sub>CC</sub> = 5V ±5%, C1–C4 = 1.0µF; MAX231/MAX239, V<sub>CC</sub> = 5V ±10%; V<sub>+</sub> = 7.5V to 13.2V; T<sub>A</sub> = T<sub>MIN</sub> to T<sub>MAX</sub>; unless otherwise noted.)

PARAMETER	CONDITIONS		MIN	TYP	MAX	UNITS
Output Voltage Swing	All transmitter outputs loaded with 3kΩ to ground		±5.0	±7.3		V
V <sub>CC</sub> Power-Supply Current	No load, T <sub>A</sub> = +25°C	MAX232/233		5	10	mA
		MAX223/230/234–238/240/241		7	15	
		MAX231/239		0.4	1	
V <sub>+</sub> Power-Supply Current		MAX231		1.8	5	mA
		MAX239		5	15	
Shutdown Supply Current	T <sub>A</sub> = +25°C	MAX223		15	50	µA
		MAX230/235/236/240/241		1	10	
Input Logic Threshold Low	T <sub>IN</sub> ; EN, $\overline{\text{SHDN}}$ (MAX233); $\overline{\text{EN}}$ , SHDN (MAX230/235–241)				0.8	V
Input Logic Threshold High	T <sub>IN</sub>		2.0			V
	EN, $\overline{\text{SHDN}}$ (MAX233); $\overline{\text{EN}}$ , SHDN (MAX230/235/236/240/241)		2.4			
Logic Pullup Current	T <sub>IN</sub> = 0V			1.5	200	µA
Receiver Input Voltage Operating Range			-30		+30	V

# +5V電源、多チャネルRS-232ドライバ/レシーバ

MAX220-MAX249

## ELECTRICAL CHARACTERISTICS—MAX223/MAX230-MAX241 (continued)

(MAX223/230/232/234/236/237/238/240/241,  $V_{CC} = +5V \pm 10\%$ ; MAX233/MAX235,  $V_{CC} = 5V \pm 5\%$ ,  $C_1-C_4 = 1.0\mu F$ ; MAX231/MAX239,  $V_{CC} = 5V \pm 10\%$ ;  $V_+ = 7.5V$  to  $13.2V$ ;  $T_A = T_{MIN}$  to  $T_{MAX}$ ; unless otherwise noted.)

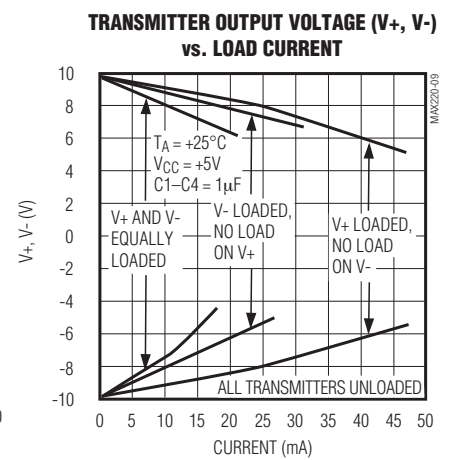
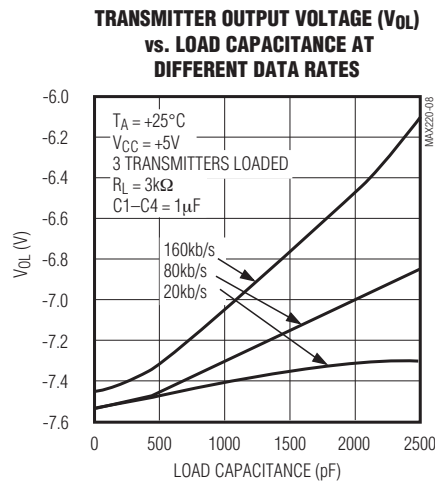
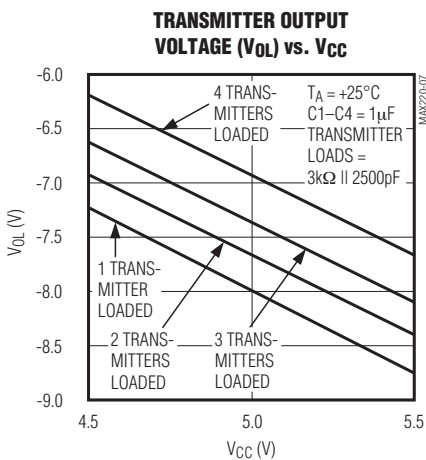
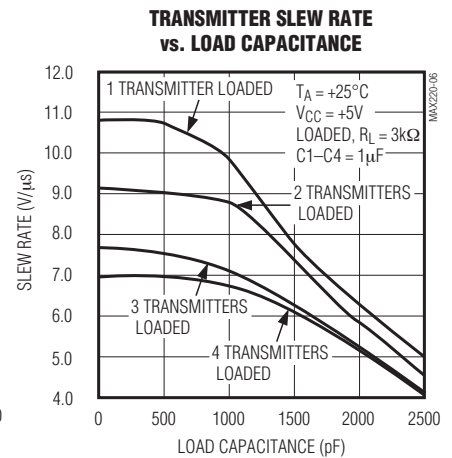
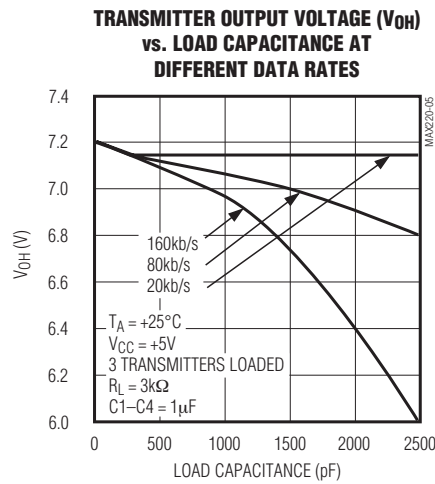
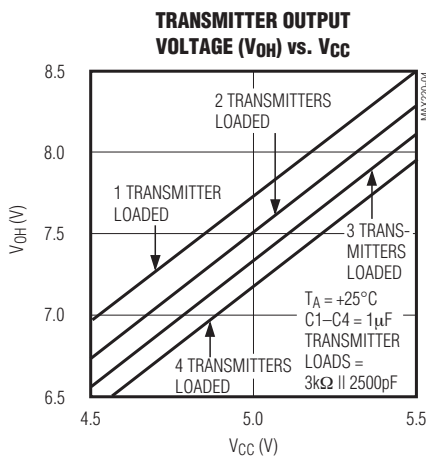
PARAMETER	CONDITIONS		MIN	TYP	MAX	UNITS
RS-232 Input Threshold Low	$T_A = +25^\circ C$ , $V_{CC} = 5V$	Normal operation $\overline{SHDN} = 5V$ (MAX223) $SHDN = 0V$ (MAX235/236/240/241)	0.8	1.2		V
		Shutdown (MAX223) $\overline{SHDN} = 0V$ , $EN = 5V$ ( $R_{4IN}$ , $R_{5IN}$ )	0.6	1.5		
RS-232 Input Threshold High	$T_A = +25^\circ C$ , $V_{CC} = 5V$	Normal operation $\overline{SHDN} = 5V$ (MAX223) $SHDN = 0V$ (MAX235/236/240/241)		1.7	2.4	V
		Shutdown (MAX223) $\overline{SHDN} = 0V$ , $EN = 5V$ ( $R_{4IN}$ , $R_{5IN}$ )		1.5	2.4	
RS-232 Input Hysteresis	$V_{CC} = 5V$ , no hysteresis in shutdown		0.2	0.5	1.0	V
RS-232 Input Resistance	$T_A = +25^\circ C$ , $V_{CC} = 5V$		3	5	7	k $\Omega$
TTL/CMOS Output Voltage Low	$I_{OUT} = 1.6mA$ (MAX231/232/233, $I_{OUT} = 3.2mA$ )				0.4	V
TTL/CMOS Output Voltage High	$I_{OUT} = -1mA$		3.5	$V_{CC} - 0.4$		V
TTL/CMOS Output Leakage Current	$0V \leq R_{OUT} \leq V_{CC}$ ; $EN = 0V$ (MAX223); $\overline{EN} = V_{CC}$ (MAX235-241)			0.05	$\pm 10$	$\mu A$
Receiver Output Enable Time	Normal operation	MAX223		600		ns
		MAX235/236/239/240/241		400		
Receiver Output Disable Time	Normal operation	MAX223		900		ns
		MAX235/236/239/240/241		250		
Propagation Delay	RS-232 IN to TTL/CMOS OUT, $C_L = 150pF$	Normal operation		0.5	10	$\mu s$
		$\overline{SHDN} = 0V$ (MAX223)	$t_{PHLS}$	4	40	
			$t_{PLHS}$	6	40	
Transition Region Slew Rate	MAX223/MAX230/MAX234-241, $T_A = +25^\circ C$ , $V_{CC} = 5V$ , $R_L = 3k\Omega$ to $7k\Omega$ , $C_L = 50pF$ to $2500pF$ , measured from $+3V$ to $-3V$ or $-3V$ to $+3V$		3	5.1	30	V/ $\mu s$
	MAX231/MAX232/MAX233, $T_A = +25^\circ C$ , $V_{CC} = 5V$ , $R_L = 3k\Omega$ to $7k\Omega$ , $C_L = 50pF$ to $2500pF$ , measured from $+3V$ to $-3V$ or $-3V$ to $+3V$			4	30	
Transmitter Output Resistance	$V_{CC} = V_+ = V_- = 0V$ , $V_{OUT} = \pm 2V$		300			$\Omega$
Transmitter Output Short-Circuit Current				$\pm 10$		mA

# +5V電源、多チャンネルRS-232ドライバ/レシーバ

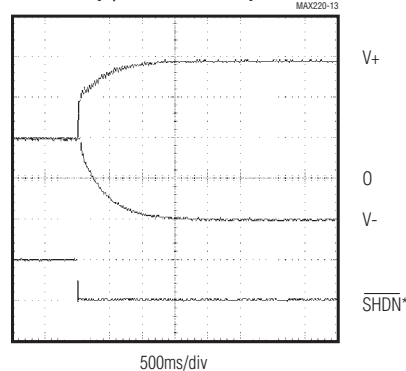
## 標準動作特性

### MAX223/MAX230-MAX241

MAX220-MAX249



**$V_+$ ,  $V_-$  WHEN EXITING SHUTDOWN ( $1\mu\text{F}$  CAPACITORS)**



\*SHUTDOWN POLARITY IS REVERSED FOR NON MAX241 PARTS



# +5V電源、多チャネルRS-232ドライバ/レシーバ

MAX220-MAX249

## ABSOLUTE MAXIMUM RATINGS—MAX225/MAX244-MAX249

Supply Voltage (V <sub>CC</sub> ).....-0.3V to +6V	Continuous Power Dissipation (T <sub>A</sub> = +70°C)
Input Voltages	28-Pin Wide SO (derate 12.50mW/°C above +70°C) .....1W
T <sub>IN</sub> , ENA, ENB, ENR, ENT, ENRA,	40-Pin Plastic DIP (derate 11.11mW/°C above +70°C) ...611mW
ENRB, ENTA, ENTB.....-0.3V to (V <sub>CC</sub> + 0.3V)	44-Pin PLCC (derate 13.33mW/°C above +70°C) .....1.07W
R <sub>IN</sub> .....±25V	Operating Temperature Ranges
T <sub>OUT</sub> (Note 5).....±15V	MAX225C_-, MAX24_C_- .....0°C to +70°C
R <sub>OUT</sub> .....-0.3V to (V <sub>CC</sub> + 0.3V)	MAX225E_-, MAX24_E_- .....-40°C to +85°C
Short Circuit (one output at a time)	Storage Temperature Range.....-65°C to +160°C
T <sub>OUT</sub> to GND.....Continuous	Lead Temperature (soldering, 10s) (Note 6) .....+300°C
R <sub>OUT</sub> to GND.....Continuous	

**Note 5:** Input voltage measured with transmitter output in a high-impedance state, shutdown, or V<sub>CC</sub> = 0V.

**Note 6:** Maximum reflow temperature for the MAX225/MAX245/MAX246/MAX247 is +225°C.

Stresses beyond those listed under "Absolute Maximum Ratings" may cause permanent damage to the device. These are stress ratings only, and functional operation of the device at these or any other conditions beyond those indicated in the operational sections of the specifications is not implied. Exposure to absolute maximum rating conditions for extended periods may affect device reliability.

## ELECTRICAL CHARACTERISTICS—MAX225/MAX244-MAX249

(MAX225, V<sub>CC</sub> = 5.0V ±5%; MAX244-MAX249, V<sub>CC</sub> = +5.0V ±10%, external capacitors C1-C4 = 1µF; T<sub>A</sub> = T<sub>MIN</sub> to T<sub>MAX</sub>; unless otherwise noted.)

PARAMETER	CONDITIONS	MIN	TYP	MAX	UNITS	
<b>RS-232 TRANSMITTERS</b>						
Input Logic Threshold Low			1.4	0.8	V	
Input Logic Threshold High		2	1.4		V	
Logic Pullup/Input Current	Tables 1a-1d	Normal operation		10	50	µA
		Shutdown		±0.01	±1	
Data Rate	Tables 1a-1d, normal operation		120	64	kbps	
Output Voltage Swing	All transmitter outputs loaded with 3kΩ to GND	±5	±7.5		V	
Output Leakage Current (Shutdown)	Tables 1a-1d	ENA, ENB, ENT, ENTA, ENTB = V <sub>CC</sub> , V <sub>OUT</sub> = ±15V		±0.01	±25	µA
		V <sub>CC</sub> = 0V, V <sub>OUT</sub> = ±15V		±0.01	±25	
Transmitter Output Resistance	V <sub>CC</sub> = V <sub>+</sub> = V <sub>-</sub> = 0V, V <sub>OUT</sub> = ±2V (Note 7)	300	10M		Ω	
Output Short-Circuit Current	V <sub>OUT</sub> = 0V	±7	±30		mA	
<b>RS-232 RECEIVERS</b>						
RS-232 Input Voltage Operating Range				±25	V	
RS-232 Input Threshold Low	V <sub>CC</sub> = 5V	0.8	1.3		V	
RS-232 Input Threshold High	V <sub>CC</sub> = 5V		1.8	2.4	V	
RS-232 Input Hysteresis	V <sub>CC</sub> = 5V	0.2	0.5	1.0	V	
RS-232 Input Resistance		3	5	7	kΩ	
TTL/CMOS Output Voltage Low	I <sub>OUT</sub> = 3.2mA		0.2	0.4	V	
TTL/CMOS Output Voltage High	I <sub>OUT</sub> = -1.0mA	3.5	V <sub>CC</sub> - 0.2		V	
TTL/CMOS Output Short-Circuit Current	Sourcing V <sub>OUT</sub> = GND	-2	-10		mA	
	Shrinking V <sub>OUT</sub> = V <sub>CC</sub>	10	30			
TTL/CMOS Output Leakage Current	Normal operation, outputs disabled, Tables 1a-1d, 0V ≤ V <sub>OUT</sub> ≤ V <sub>CC</sub> , ENR <sub>-</sub> = V <sub>CC</sub>		±0.05	±0.10	µA	



# +5V電源、多チャンネルRS-232ドライバ/レシーバ

MAX220-MAX249

## ELECTRICAL CHARACTERISTICS—MAX225/MAX244-MAX249 (continued)

(MAX225,  $V_{CC} = 5.0V \pm 5\%$ ; MAX244-MAX249,  $V_{CC} = +5.0V \pm 10\%$ , external capacitors C1-C4 = 1 $\mu$ F;  $T_A = T_{MIN}$  to  $T_{MAX}$ ; unless otherwise noted.)

PARAMETER	CONDITIONS		MIN	TYP	MAX	UNITS
<b>POWER SUPPLY AND CONTROL LOGIC</b>						
Operating Supply Voltage		MAX225	4.75		5.25	V
		MAX244-MAX249	4.5		5.5	
$V_{CC}$ Supply Current (Normal Operation)	No load	MAX225		10	20	mA
		MAX244-MAX249		11	30	
	3k $\Omega$ loads on all outputs	MAX225		40		
		MAX244-MAX249		57		
Shutdown Supply Current	$T_A = +25^\circ\text{C}$			8	25	$\mu$ A
	$T_A = T_{MIN}$ to $T_{MAX}$				50	
Control Input	Leakage current				$\pm 1$	$\mu$ A
	Threshold low			1.4	0.8	V
	Threshold high		2.4	1.4		
<b>AC CHARACTERISTICS</b>						
Transition Slew Rate	$C_L = 50\text{pF}$ to 2500pF, $R_L = 3\text{k}\Omega$ to 7k $\Omega$ , $V_{CC} = 5V$ , $T_A = +25^\circ\text{C}$ , measured from +3V to -3V or -3V to +3V		5	10	30	V/ $\mu$ s
Transmitter Propagation Delay TLL to RS-232 (Normal Operation), Figure 1	t <sub>PHLT</sub>			1.3	3.5	$\mu$ s
	t <sub>PLHT</sub>			1.5	3.5	
Receiver Propagation Delay TLL to RS-232 (Normal Operation), Figure 2	t <sub>PHLR</sub>			0.6	1.5	$\mu$ s
	t <sub>PLHR</sub>			0.6	1.5	
Receiver Propagation Delay TLL to RS-232 (Low-Power Mode), Figure 2	t <sub>PHLS</sub>			0.6	10	$\mu$ s
	t <sub>PLHS</sub>			3.0	10	
Transmitter + to - Propagation Delay Difference (Normal Operation)	t <sub>PHLT</sub> - t <sub>PLHT</sub>			350		ns
Receiver + to - Propagation Delay Difference (Normal Operation)	t <sub>PHLR</sub> - t <sub>PLHR</sub>			350		ns
Receiver-Output Enable Time, Figure 3	t <sub>ER</sub>			100	500	ns
Receiver-Output Disable Time, Figure 3	t <sub>DR</sub>			100	500	ns
Transmitter Enable Time	t <sub>ET</sub>	MAX246-MAX249 (excludes charge-pump startup)		5		$\mu$ s
		MAX225/MAX245-MAX249 (includes charge-pump startup)		10		ms
Transmitter Disable Time, Figure 4	t <sub>DT</sub>			100		ns

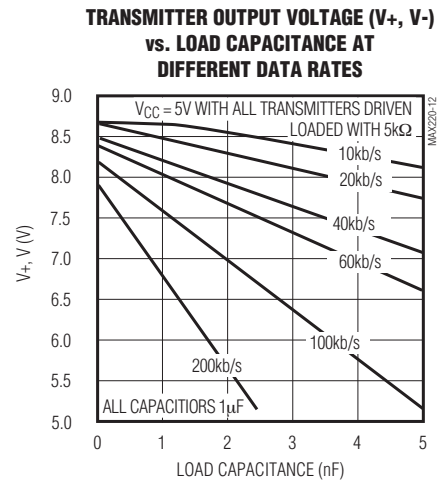
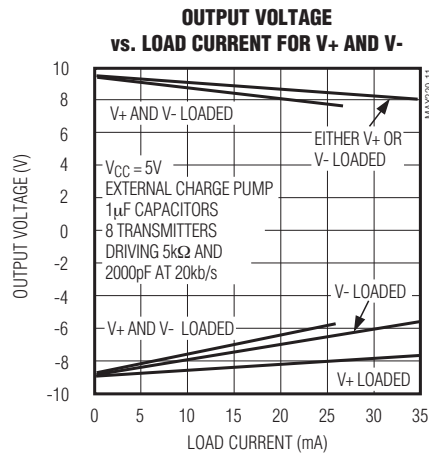
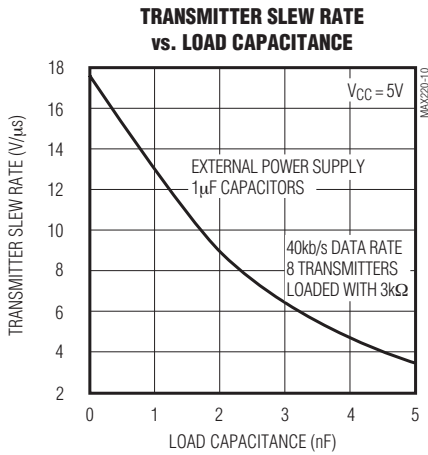
**Note 7:** The 300 $\Omega$  minimum specification complies with EIA/TIA-232E, but the actual resistance when in shutdown mode or  $V_{CC} = 0V$  is 10M $\Omega$  as is implied by the leakage specification.

# +5V電源、多チャネルRS-232ドライバ/レシーバ

MAX220-MAX249

## 標準動作特性

### MAX225/MAX244-MAX249



# +5V電源、多チャンネルRS-232ドライバ/レシーバ

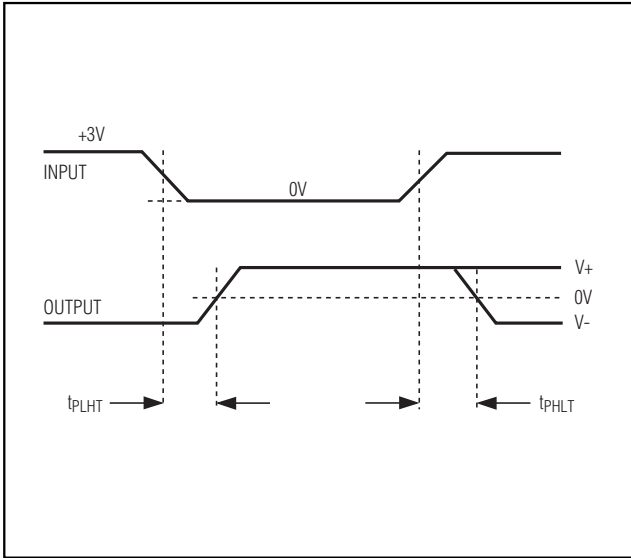


図1. トランスミッタ伝播遅延タイミング

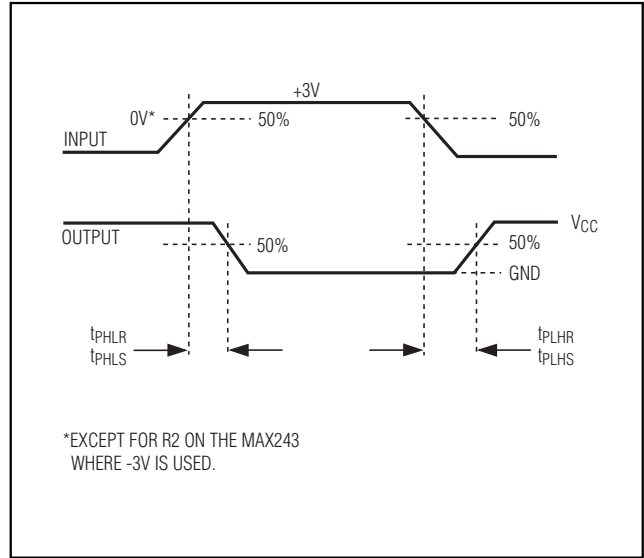


図2. レシーバ伝播遅延タイミング

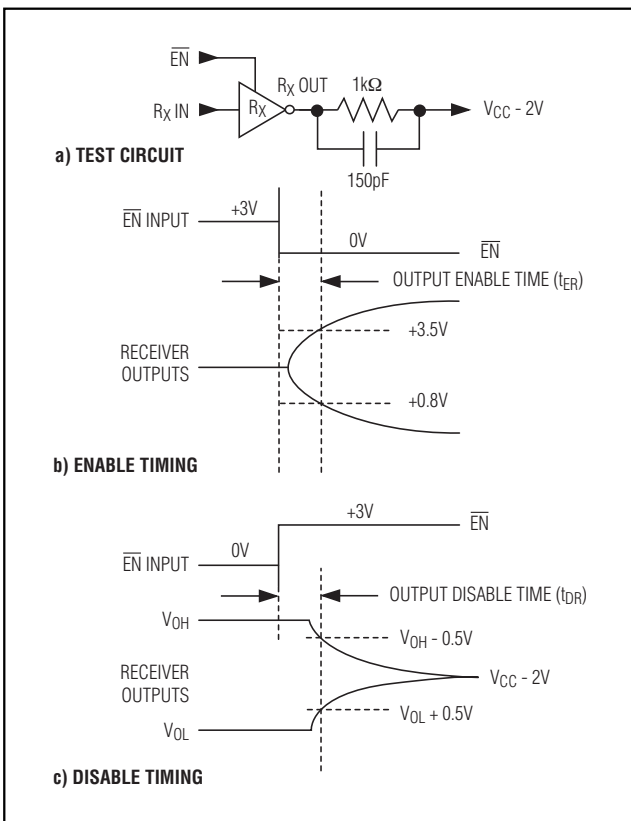


図3. レシーバ出力イネーブルおよびディセーブルタイミング

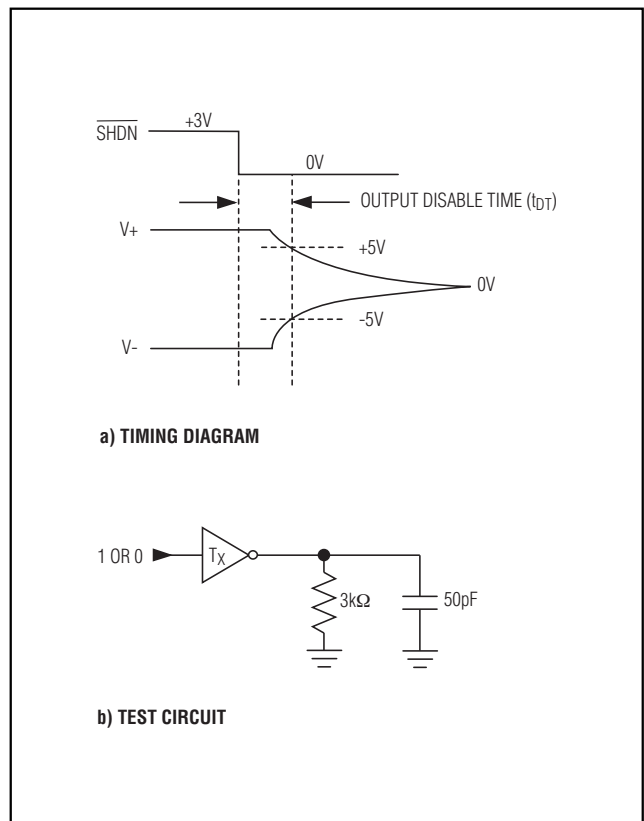


図4. トランスミッタ出力ディセーブルタイミング

# +5V電源、多チャンネルRS-232ドライバ/レシーバ

MAX220-MAX249

表1a. MAX245コントロールピンの機能説明

ENT	ENR	動作状態	トランスミッタ	レシーバ
0	0	ノーマル動作	全てアクティブ	全てアクティブ
0	1	ノーマル動作	全てアクティブ	全てスリープステート
1	0	シャットダウン	全てスリープステート	全てローパワーレシーブモード
1	1	シャットダウン	全てスリープステート	全てスリープステート

表1b. MAX245コントロールピンの機能説明

ENT	ENR	動作状態	トランスミッタ		レシーバ	
			TA1~TA4	TB1~TB4	RA1~RA5	RB1~RB5
0	0	ノーマル動作	全てアクティブ	全てアクティブ	全てアクティブ	全てアクティブ
0	1	ノーマル動作	全てアクティブ	全てアクティブ	RA1~RA4スリープステート、RA5アクティブ	RB1~RB4スリープステート、RB5アクティブ
1	0	シャットダウン	全てスリープステート	全てスリープステート	全てローパワーレシーブモード	全てローパワーレシーブモード
1	1	シャットダウン	全てスリープステート	全てスリープステート	RA1~RA4スリープステート、RA5ローパワーレシーブモード	RB1~RB4スリープステート、RB5ローパワーレシーブモード

表1c. MAX246コントロールピンの機能説明

ENA	ENB	動作状態	トランスミッタ		レシーバ	
			TA1~TA4	TB1~TB4	RA1~RA5	RB1~RB5
0	0	ノーマル動作	全てアクティブ	全てアクティブ	全てアクティブ	全てアクティブ
0	1	ノーマル動作	全てアクティブ	全てスリープステート	全てアクティブ	RB1~RB4スリープステート、RB5アクティブ
1	0	シャットダウン	全てスリープステート	全てアクティブ	RA1~RA4スリープステート、RA5アクティブ	全てアクティブ
1	1	シャットダウン	全てスリープステート	全てスリープステート	RA1~RA4スリープステート、RA5ローパワーレシーブモード	RB1~RB4スリープステート、RA5ローパワーレシーブモード

# +5V電源、多チャンネルRS-232ドライバ/レシーバ

MAX220-MAX249

表1d. MAX247/MAX248/MAX249コントロールピンの機能説明

ENTA	ENTB	ENRA	ENRB	動作状態	トランスミッタ			レシーバ	
					MAX247	TA1~TA4	TB1~TB4	RA1~RA4	RB1~RB5
					MAX248	TA1~TA4	TB1~TB4	RA1~RA4	RB1~RB4
					MAX249	TA1~TA3	TB1~TB3	RA1~RA5	RB1~RB5
0	0	0	0	ノーマル動作	全てアクティブ	全てアクティブ	全てアクティブ	全てアクティブ	
0	0	0	1	ノーマル動作	全てアクティブ	全てアクティブ	全てアクティブ	全てスリープステート、ただしRB5はMAX247ではアクティブ	
0	0	1	0	ノーマル動作	全てアクティブ	全てアクティブ	全てスリープステート	全てアクティブ	
0	0	1	1	ノーマル動作	全てアクティブ	全てアクティブ	全てスリープステート	全てスリープステート、ただしRB5はMAX247ではアクティブ	
0	1	0	0	ノーマル動作	全てアクティブ	全てスリープステート	全てアクティブ	全てアクティブ	
0	1	0	1	ノーマル動作	全てアクティブ	全てスリープステート	全てアクティブ	全てスリープステート、ただしRB5はMAX247ではアクティブ	
0	1	1	0	ノーマル動作	全てアクティブ	全てスリープステート	全てスリープステート	全てアクティブ	
0	1	1	1	ノーマル動作	全てアクティブ	全てスリープステート	全てスリープステート	全てスリープステート、ただしRB5はMAX247ではアクティブ	
1	0	0	0	ノーマル動作	全てスリープステート	全てアクティブ	全てアクティブ	全てアクティブ	
1	0	0	1	ノーマル動作	全てスリープステート	全てアクティブ	全てアクティブ	全てスリープステート、ただしRB5はMAX247ではアクティブ	
1	0	1	0	ノーマル動作	全てスリープステート	全てアクティブ	全てスリープステート	全てアクティブ	
1	0	1	1	ノーマル動作	全てスリープステート	全てアクティブ	全てスリープステート	全てスリープステート、ただしRB5はMAX247ではアクティブ	
1	1	0	0	シャットダウン	全てスリープステート	全てスリープステート	ローパワーレシーブモード	ローパワーレシーブモード	
1	1	0	1	シャットダウン	全てスリープステート	全てスリープステート	ローパワーレシーブモード	全てスリープステート、ただしRB5はMAX247ではアクティブ	
1	1	1	0	シャットダウン	全てスリープステート	全てスリープステート	全てスリープステート	ローパワーレシーブモード	
1	1	1	1	シャットダウン	全てスリープステート	全てスリープステート	全てスリープステート	全てスリープステート、ただしRB5はMAX247ではアクティブ	

# +5V電源、多チャンネルRS-232ドライバ/レシーバ

## 詳細

MAX220~MAX249は、デュアルチャージポンプDC-DC電圧コンバータ、RS-232ドライバ、RS-232レシーバ、およびレシーバ&トランスミッタのイネーブル制御入力の4つの部分から構成されています。

### デュアルチャージポンプ電圧コンバータ

MAX220~MAX249は、RS-232ドライバ駆動のために、+5Vから±10V（無負荷時）に変換する2つのチャージポンプを内蔵しています。最初のコンバータはコンデンサC1を使い、+5V入力を+10Vに2倍圧変換し、V+出力のC3に蓄えます。次のコンバータはコンデンサC2を使い、+10Vを-10Vに反転しV-出力のC4に蓄えます。

V+とV-端子がないMAX225、MAX245~MAX247を除き、+10V (V+)と-10V (V-)出力から少量の電力を外部回路に取り出すことが可能です（標準動作特性参照）。V+とV-は安定化されていないため、出力電圧は負荷電流の増加と共に低下します。V+とV-から外部回路に電流を過渡に供給すると、EIA/TIA-232Eのドライバ出力電圧規格±5V以上が満足できなくなります。

MAX222、MAX225、MAX230、MAX235、MAX236、MAX240、MAX241、およびMAX245~MAX249のシャットダウン機能を使う場合は、V+とV-から外部回路へ電力を取り出すことは避けて下さい。これらがシャットダウン時、V-は0Vに、V+は+5Vになります。+10Vの外部電源をV+端子に(+10Vを生成する内部チャージポンプを使用する代わりに)供給するようなアプリケーションでは、C1コンデンサを設置しないで、またSHDN端子をV<sub>CC</sub>に接続して下さい。これは、シャットダウンモード時に、V+が内部的にV<sub>CC</sub>に接続されるためです。

### RS-232ドライバ

ドライバ出力電圧幅は、V<sub>CC</sub> = +5V、公称値5kΩのRS-232レシーバ負荷時、±8V (typ)です。この出力幅は、最悪条件下でも±5Vの最小ドライバ出力レベルを要求する、EIA/TIA-232EおよびV.28仕様に適合することが保証されています。この最悪条件とは、最小3kΩ負荷、V<sub>CC</sub> = +4.5V、最大動作温度の条件を含みます。無負荷時のドライバ出力電圧幅は(V+ -1.3V)から(V- +0.5V)までの範囲です。

入力スレッショルドは、TTLおよびCMOSコンパチブルです。使用しないドライバ入力は、内部的に400kΩでV<sub>CC</sub>にプルアップされているため、オープンで構いません(MAX220を除く)。全てのドライバはインバータ動作のため、プルアップ抵抗によって使用していないドライバ

出力をローにします。内部の入力プルアップ電流は、プルアップがディセーブルされるシャットダウンモード時を除き、標準で12μAです。シャットダウンモード時、スリーステート時、あるいは電源が供給されていない時には、ドライバ出力はターンオフされハイインピーダンス状態になり、リーク電流は数マイクロアンペア(最大25μA)になります。出力は±15Vで駆動することができます。シャットダウンモード時、消費電流は8μA (typ)まで低下します。MAX220には、使用していないドライバ出力をローにするプルアップ抵抗がありません。使用しない入力をGNDまたはV<sub>CC</sub>に接続して下さい。

MAX239はレシーバスリーステートコントロールラインを、また、MAX223、MAX225、MAX235、MAX236、MAX240およびMAX241はレシーバスリーステートコントロールラインおよびローパワーシャットダウンコントロールの両方を備えています。表2にレシーバ出力でのシャットダウンコントロールおよびレシーバスリーステートコントロールを示します。

スリーステートイネーブルラインがハイの時(MAX225/MAX235/MAX236/MAX239~MAX241)、レシーバTTL/CMOS出力はハイインピーダンス、スリーステートモードです。また、シャットダウンコントロールラインがハイの時もハイインピーダンスです。

ローパワーシャットダウンモード時、ドライバ出力はターンオフされドライバ出力がグラウンドにプルされリーク電流は1μA以下になります。トランスミッタ出力が0V~(V<sub>CC</sub> + 6V)の間で逆駆動されてもリーク電流は1μA以下にとどまります。-0.5V以下の場合、トランスミッタは1kΩの直列インピーダンスをもってグラウンドヘダイオードクランプされます。また、トランスミッタは1kΩの直列インピーダンスをもって約V<sub>CC</sub> + 6Vでもツェナークランプされます。

ドライバ出力のスルーレートは、EIA/TIA-232EおよびV.28規格に適合するよう30V/μs以下に制限されています。スルーレートは3kΩおよび2500pFで24V/μs (typ、無負荷時)、10V/μs (typ、負荷時)です。

表2. レシーバのスリーステートコントロール

品名	SHDN	SHDN	EN	EN(R)	レシーバ
MAX223	—	ロー ハイ ハイ	X ロー ハイ	—	ハイインピーダンス アクティブ ハイインピーダンス
MAX225	—	—	—	ロー ハイ	ハイインピーダンス アクティブ
MAX235 MAX236 MAX240	ロー ロー ハイ	—	—	ロー ハイ X	ハイインピーダンス アクティブ ハイインピーダンス



# +5V電源、多チャネルRS-232ドライバ/レシーバ

## RS-232レシーバ

EIA/TIA-232EおよびV.28規格では、3V以上の電圧レベルがロジック0と定義され、全てのレシーバが反転動作します。入力スレッショルドが0.8Vと2.4Vに設定されているため、レシーバはEIA/TIA-232EおよびV.28レベルと同様に、TTLレベル入力にも対応します。

レシーバの入力は±25Vまでの入力過電圧に耐えることができ、公称値5kΩの入力終端抵抗を備えています。このレシーバはV.28およびEIA/TIA-232Eのフォルト状態のタイプ1要件を満たしています。

レシーバの入力ヒステリシスは0.5V (typ)、最低でも0.2Vが保証されています。これにより、適度なノイズとリングングを含むような変化の遅い入力信号に対しても明確な出力変化が得られます。レシーバの伝播遅延は600ns (typ)で、入力信号の変化方向には大きく関係しません。

## ローパワーレシーブモード

MAX223、MAX242、MAX245～MAX249でのローパワーレシーブモードの特長は、ICをシャットダウンモードにしなが、情報信号を受け取ることができます。これは、システムが定期的にアクティビティをチェックするために立ち上がるアプリケーションにおいて重要です。システムは、ローパワーレシーブモードを使ってICをアクティブにするコマンド信号を受け取り、高速のデータレートでの情報伝達を可能にします。このモードによってシステムパワーを節減できます。

## 負スレッショルド(MAX243)

MAX243は、MAX232Aとピンコンパチブルですが、異なる点はRS-232のケーブルフォルト保護が2個のレシーバ入力の内1個で取り除かれています。これにより、CTSやRTS等の制御ラインが駆動またはフローティング状態でも、通信は妨げられません。違う装置間をインタフェースするのに、違うケーブルを必要としません。

ケーブルのフォルト保護が無い入力スレッショルド電圧は、+1.4Vではなく、-0.8Vです。入力が、制御ラインによって負に駆動されている場合のみ、この出力は正になります。駆動されていない場合には、初期値として0または、「送信可能」状態になります。通常、MAX243の他のレシーバ(+1.4Vスレッショルド)は、データライン(TDまたはRD)に使用され、負のスレッショルドレシーバはコントロールライン(DTR、DTS、CTS、RTS等)に接続されます。

他のRS-232ファミリは、EIA/TIA-232E仕様により規格化されたケーブルフォルト保護を実行します。

つまり入力が、負に駆動、フローティング状態、またはグランドに短絡された場合のみに、レシーバ出力はハイになります。ハイの出力はシリアル通信用ICでは、データ送信のストップを意味します。これを避けるためには、制御ラインを適切な正電圧レベルに駆動するか、またはジャンパ線を接続しなければなりません。

## シャットダウン(MAX222～MAX242)

MAX222、MAX235、MAX236、MAX240およびMAX241ではシャットダウン時全てのレシーバはディセーブルされます。MAX223およびMAX242ではシャットダウン時でも2つのレシーバはローパワーレシーブモードで動作します。この時、伝播遅延はハイからローへの入力遷移は約2.5μsに増加します。シャットダウン時、レシーバはヒステリシスなしのCMOSインバータとして動作します。また、MAX223およびMAX242はレシーバ出力をSHDN (MAX241ではSHDN)とは独立して制御するレシーバ出力イネーブル入力(MAX242ではEN、MAX223ではEN)を備えています。この他のデバイスのSHDN (MAX241ではSHDN)はレシーバ出力をディセーブルします。

MAX225は5個のレシーバと5個のトランスミッタ、MAX245は10個のレシーバと8個のトランスミッタを備えています。またMAX225/MAX245は、別々のレシーバとトランスミッタのイネーブル制御端子を備えています。ロジックハイがENT入力に加えられるとチャージポンプはオフになり、素子はシャットダウンされます。この状態で、消費電流は25μA以下に低下し、レシーバはローパワーレシーブモードで動作します。ドライバ出力は、ハイインピーダンス状態(スリーステートモード)になります。MAX225では5つのすべてのレシーバはENR入力によって制御されます。MAX245ではレシーバ出力のうち8個はENR入力によって制御され、残りの2個のレシーバ(RA5とRB5)は常にアクティブです。RA1～RA4とRB1～RB4はENRがロジックハイの時スリーステートモードになります。

## レシーバおよびトランスミッタイネーブル制御入力

MAX225およびMAX245～MAX249はトランスミッタおよびレシーバイネーブル制御を備えています。

これらのレシーバには3つの動作モード、フルスピードレシーブモード(通常動作時)、スリーステートモード(ディセーブル時)、およびローパワーレシーブモード(低速データレートにてレシーバがイネーブル時)があります。レシーバのイネーブル入力は、フルスピードレシーブモードとスリーステートモードを制御します。トランスミッタにも2つの動作モード、フルスピードモード(通常動作時)と、スリーステートモード(ディセーブル時)が



# +5V電源、多チャンネルRS-232ドライバ/レシーバ

あります。トランスミッタのイネーブル入力、シャットダウンモードも制御します。全てのトランスミッタがディセーブル時、素子はシャットダウンモードに入ります。イネーブルされたレシーバはシャットダウン時、ローパワーレシーブモードで機能します。

表1a~表1dに制御状態を示します。MAX244は制御端子がないため、これらの表には含まれません。

MAX246は、10個のレシーバと8個のドライバを備え、そして2個の制御端子は、これら回路のそれぞれ片側を制御します。Aサイドの制御入力(ENA)がハイになると、Aサイドの4個のレシーバとドライバはスリーステートモードになります。同様にBサイドの制御入力(ENB)により、Bサイドの4個のドライバとレシーバがスリーステートモードになります。MAX245では、AおよびBサイドのそれぞれ1個のレシーバ(RA5とRB5)は常にアクティブです。AB両サイドがディセーブル時(ENA = ENB = +5V)、素子全体がシャットダウンモードになります。

MAX247は、レシーバ9個とドライバ8個、および4個の制御端子を備えています。ENRA、ENRBレシーバイネーブル入力各々が4個のレシーバ出力を制御し、ENTA、ENTBトランスミッタイネーブル入力が各々4個のドライバを制御します。9番目のレシーバ(RB5)は常にアクティブです。ENTAとENTBがハイの時、シャットダウンモードに入ります。

MAX248は、レシーバ8個とドライバ8個、および4個の制御端子を備えています。ENRA、ENRBレシーバイネーブル入力はそれぞれ4個のレシーバ出力を制御し、ENTA、ENTBトランスミッタイネーブル入力はそれぞれ4個のドライバを制御します。この素子は、常にアクティブなレシーバを備えていません。ENTAとENTBの両方がハイになると、シャットダウンモードに入り、ドライバはスリーステートモードに入ります。

MAX249は、レシーバ10個とドライバ6個、および4個の制御端子を備えています。ENRA、ENRBレシーバイネーブル入力は5個のレシーバ出力をそれぞれ制御し、ENTA、ENTBトランスミッタイネーブル入力は3個のドライバをそれぞれ制御します。この素子には、常にアクティブなレシーバを備えていません。ENTAとENTBの両方がハイになるとシャットダウンモードに入り、ドライバはスリーステートモードに入ります。シャットダウンモード時、アクティブレシーバはデータレート最大20kbpsのローパワーレシーブモードで動作します。

## アプリケーション情報

図5から図25に、ピン配置および標準動作回路を示しています。電源ノイズに敏感なアプリケーションでは、VccはC1とC2と同じ値のコンデンサによって、できるだけICの近くでグラウンドにデカップリングして下さい。

# +5V電源、多チャンネルRS-232ドライバ/レシーバ

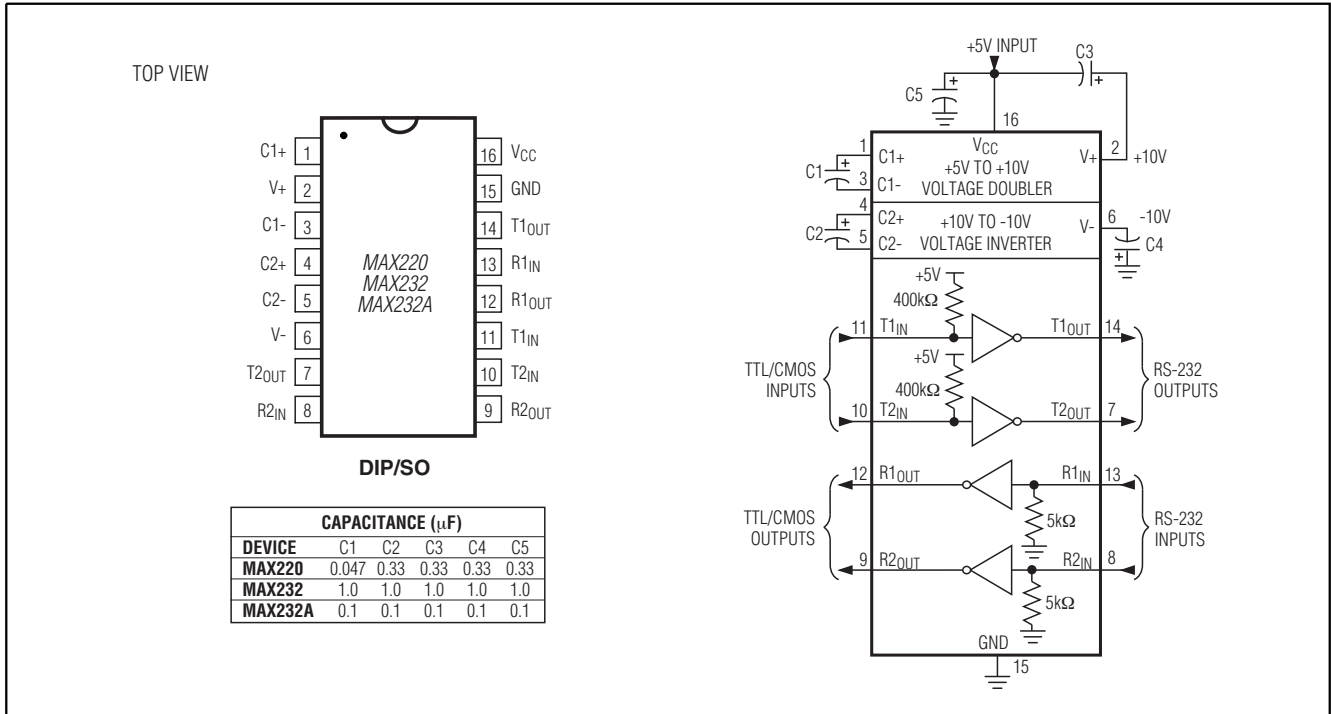


図5. MAX220/MAX232/MAX232Aのピン配置および標準動作回路

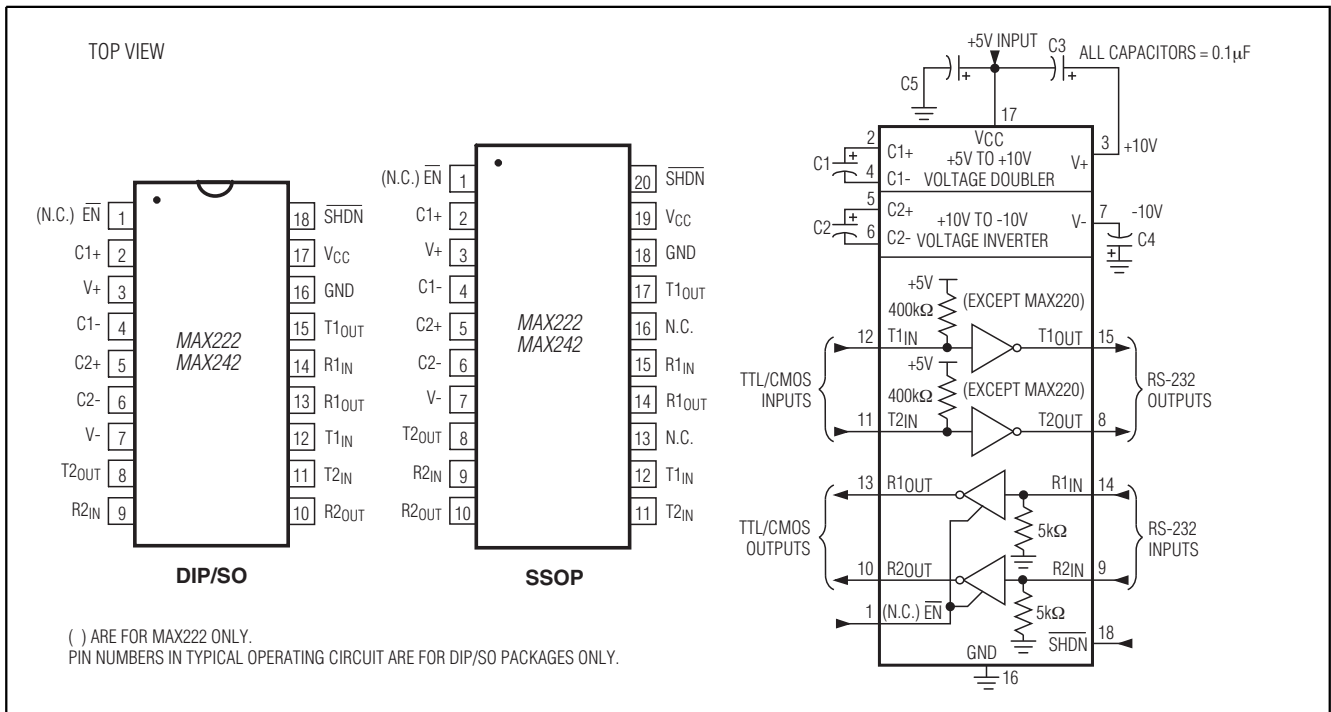


図6. MAX222/MAX242のピン配置および標準動作回路

# +5V電源、多チャネルRS-232ドライバ/レシーバ

MAX220-MAX249

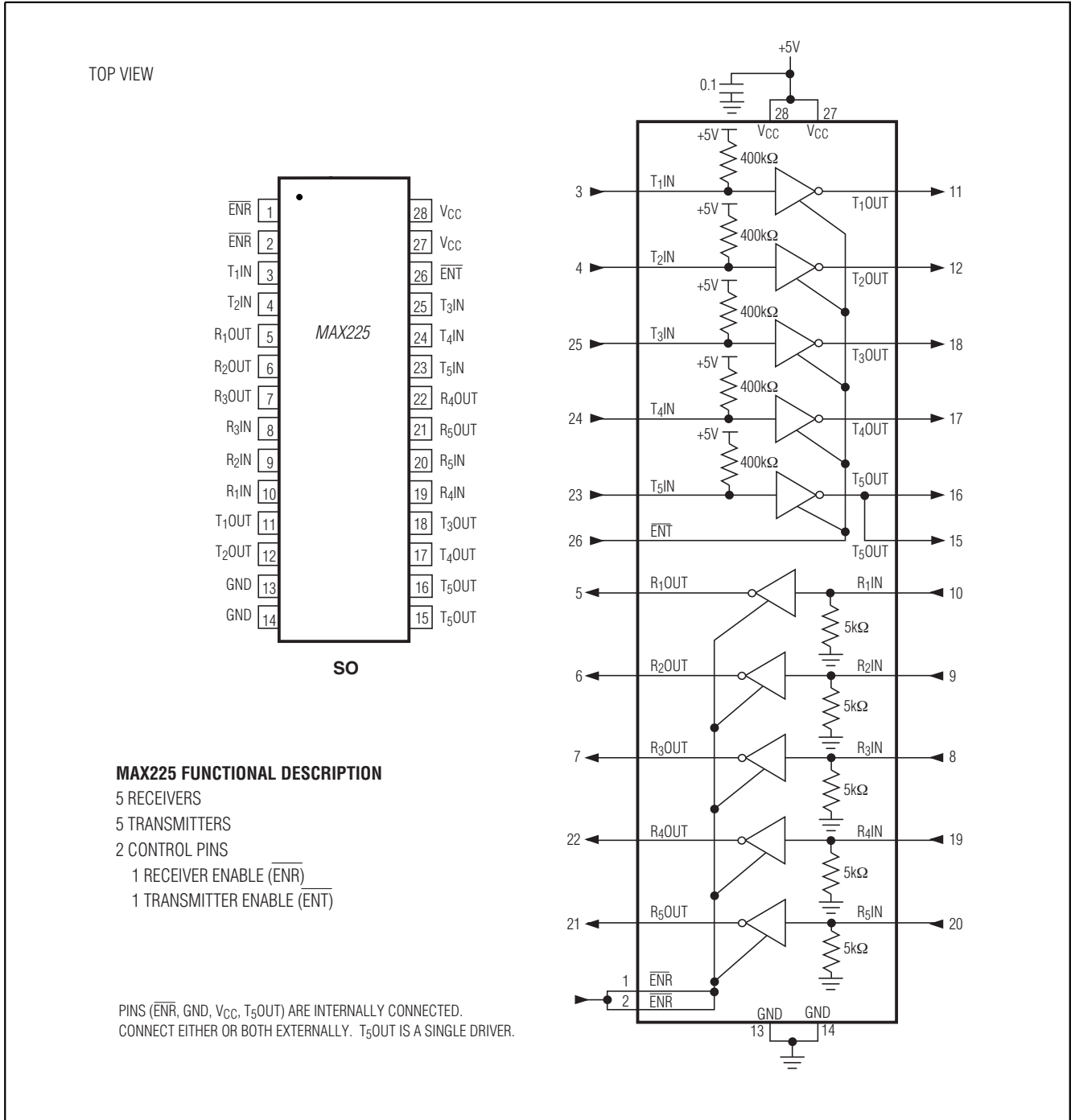


図7. MAX225のピン配置および標準動作回路

# +5V電源、多チャンネルRS-232ドライバ/レシーバ

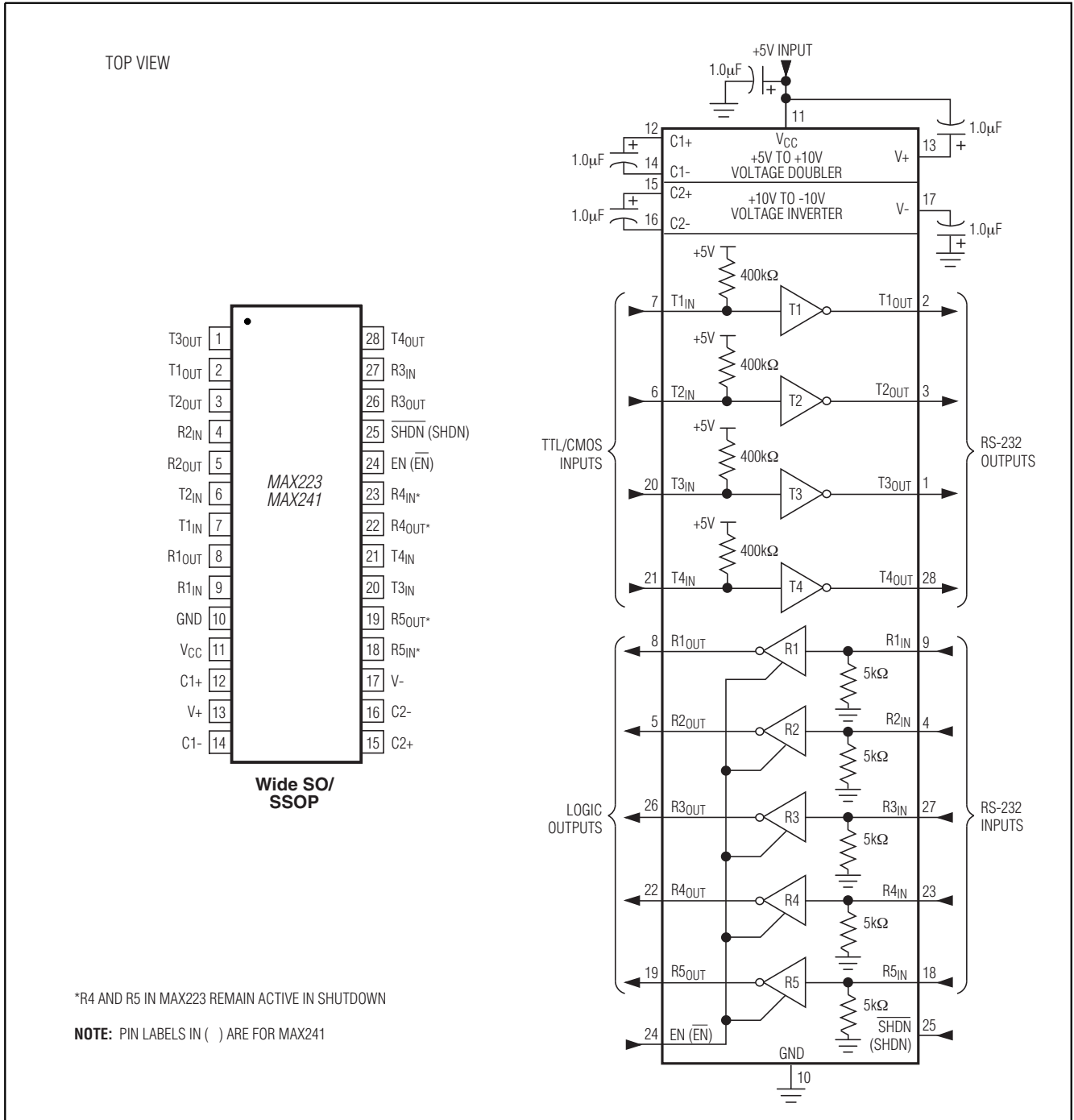


図8. MAX223/MAX241のピン配置および標準動作回路

# +5V電源、多チャンネルRS-232ドライバ/レシーバ

MAX220-MAX249

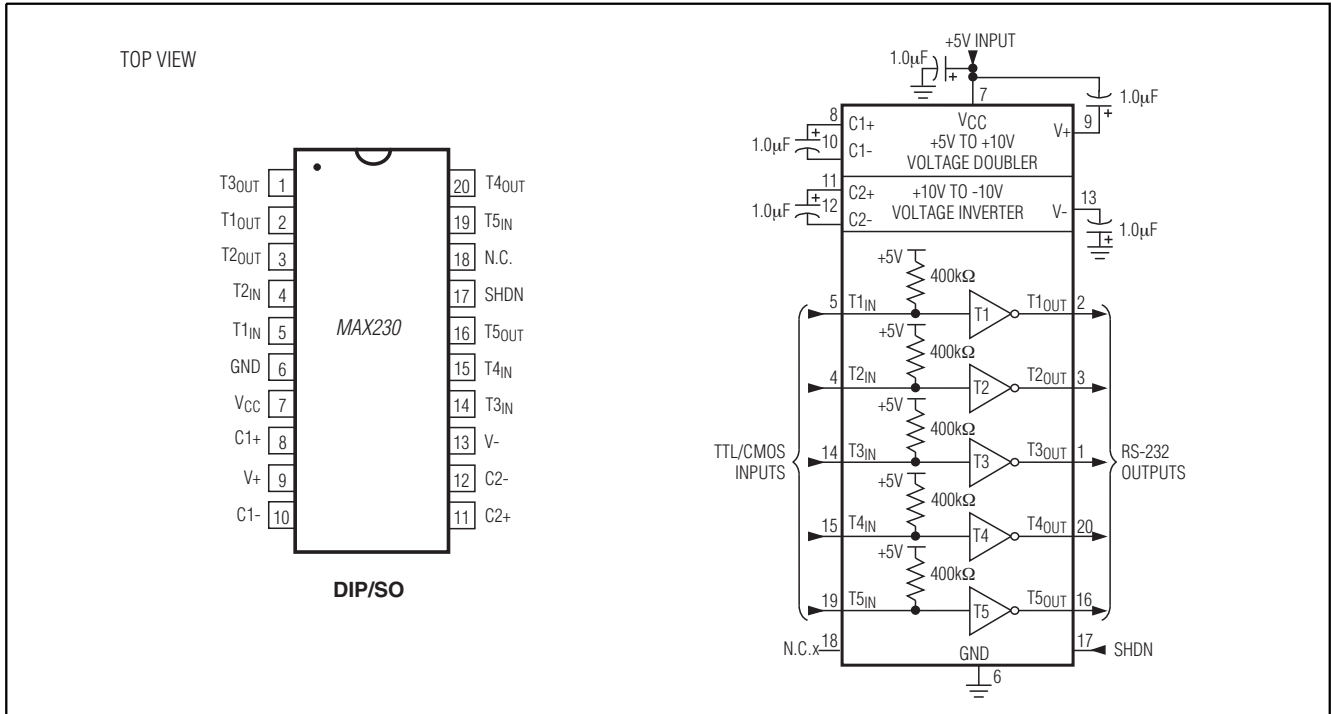


図9. MAX230のピン配置および標準動作回路

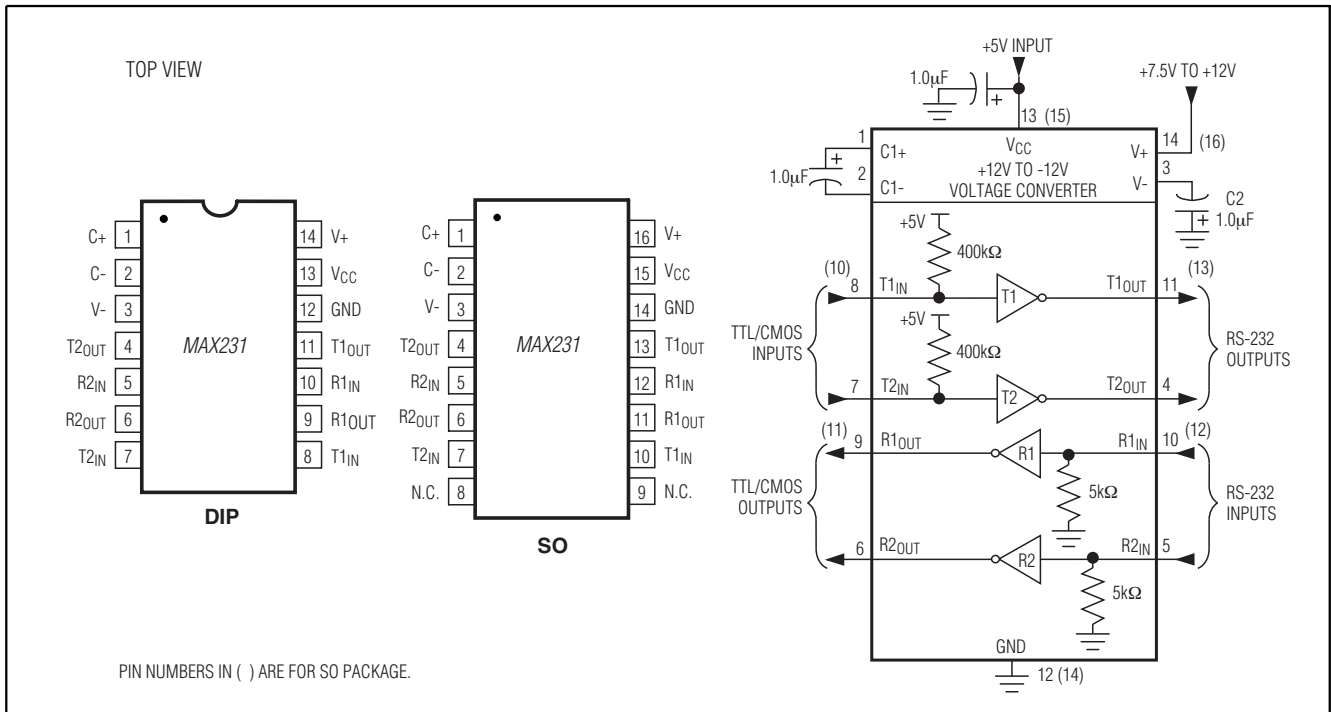


図10. MAX231のピン配置および標準動作回路

# +5V電源、多チャンネルRS-232ドライバ/レシーバ

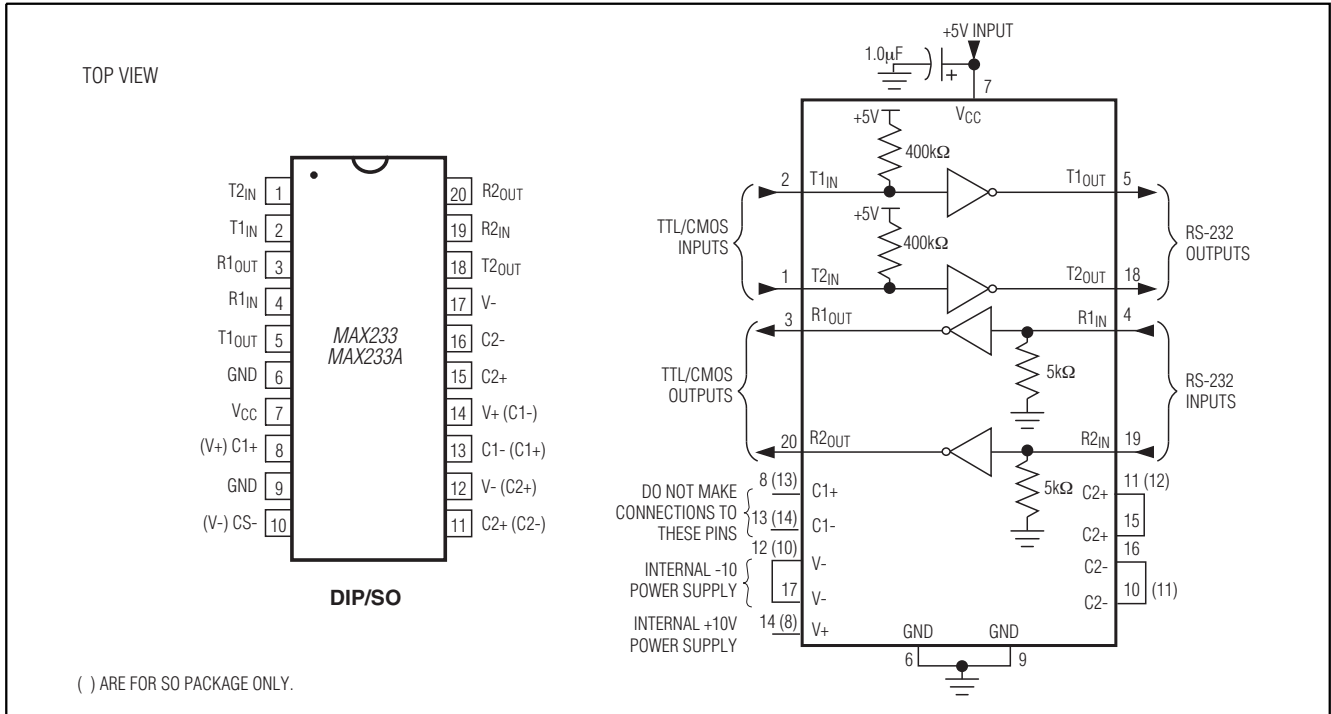


図11. MAX233/MAX233Aのピン配置および標準動作回路

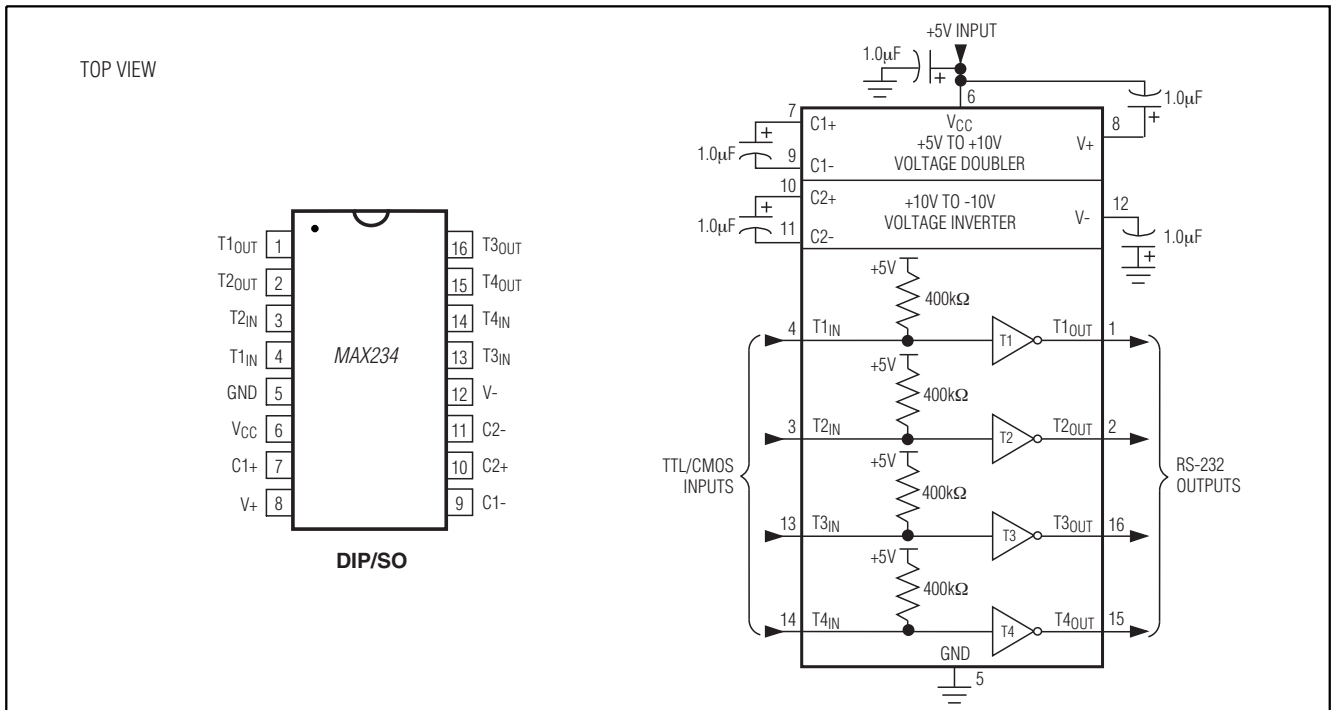


図12. MAX234のピン配置および標準動作回路

# +5V電源、多チャンネルRS-232ドライバ/レシーバ

MAX220-MAX249

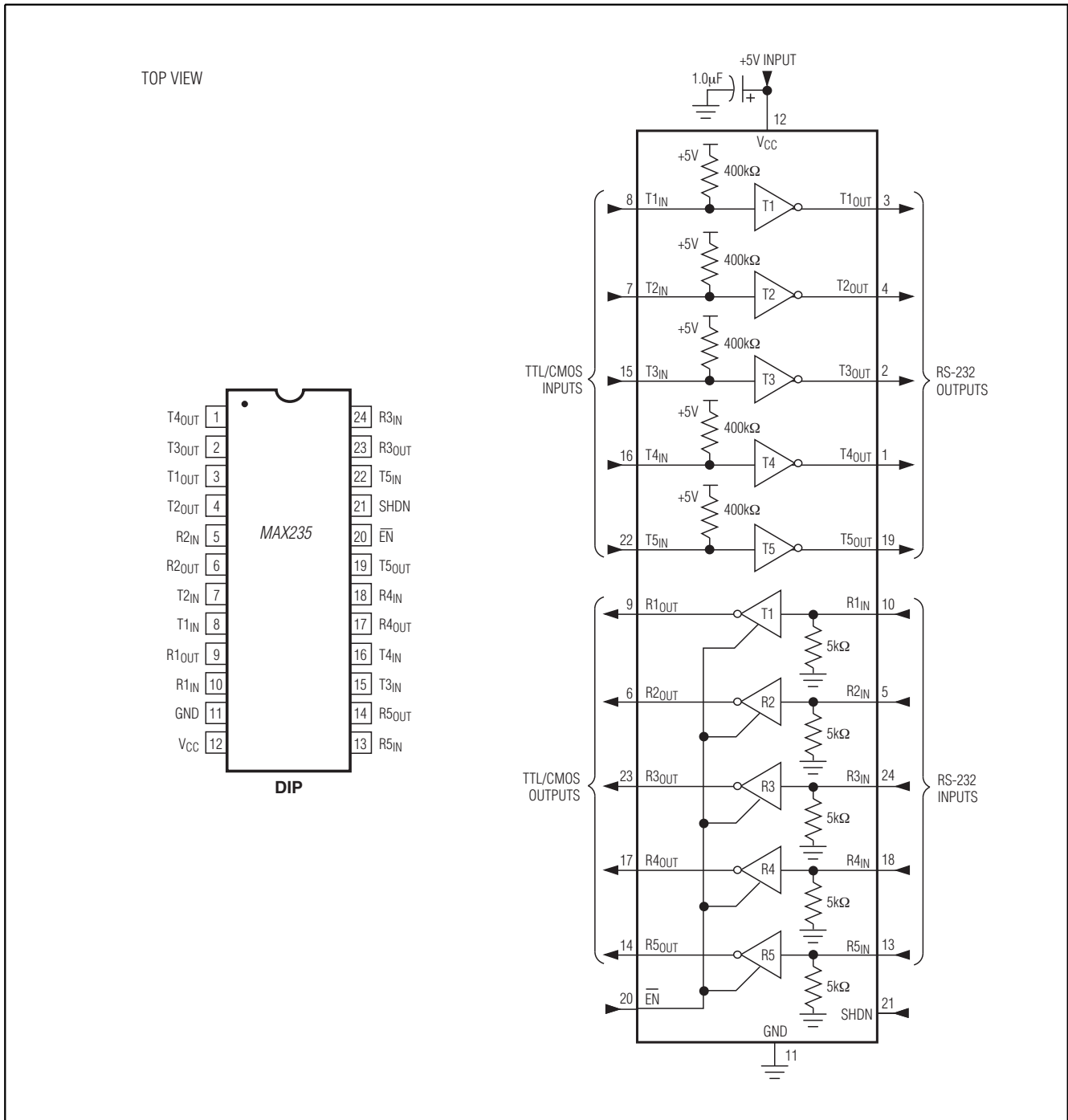


図13. MAX235のピン配置および標準動作回路



# +5V電源、多チャンネルRS-232ドライバ/レシーバ

MAX220-MAX249

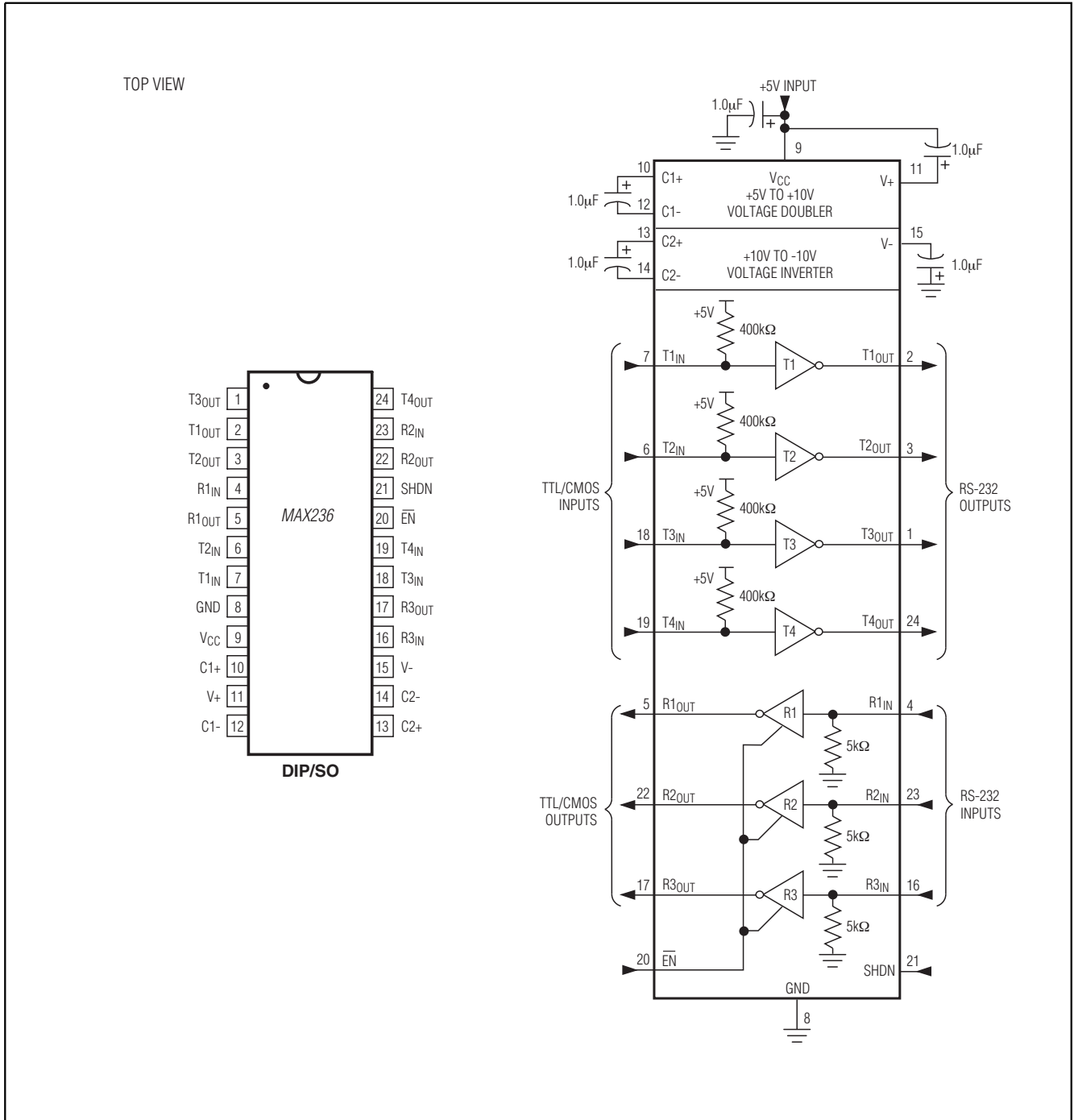


図14. MAX236のピン配置および標準動作回路

# +5V電源、多チャンネルRS-232ドライバ/レシーバ

MAX220-MAX249

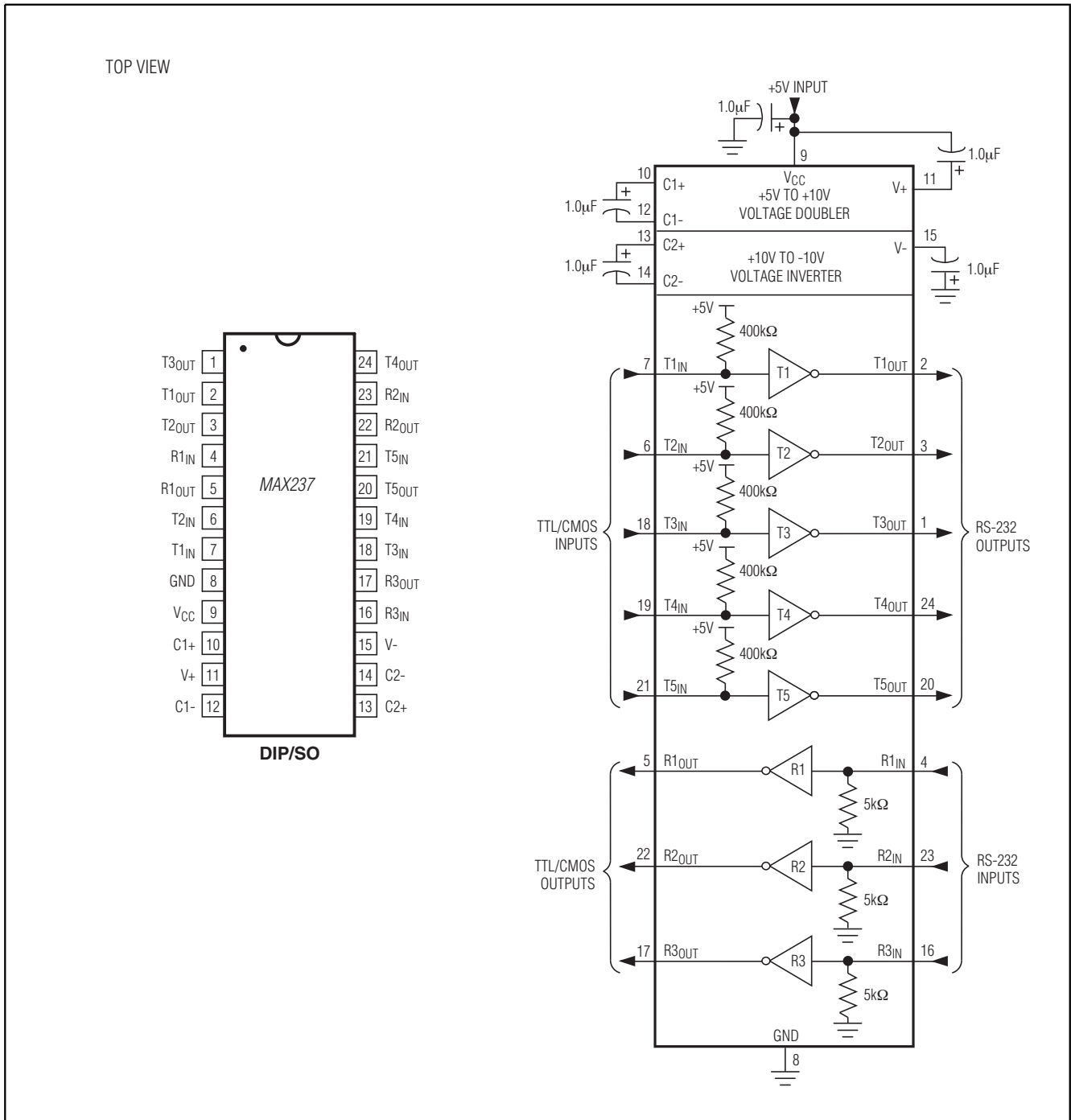


図15. MAX237のピン配置および標準動作回路

# +5V電源、多チャンネルRS-232ドライバ/レシーバ

MAX220-MAX249

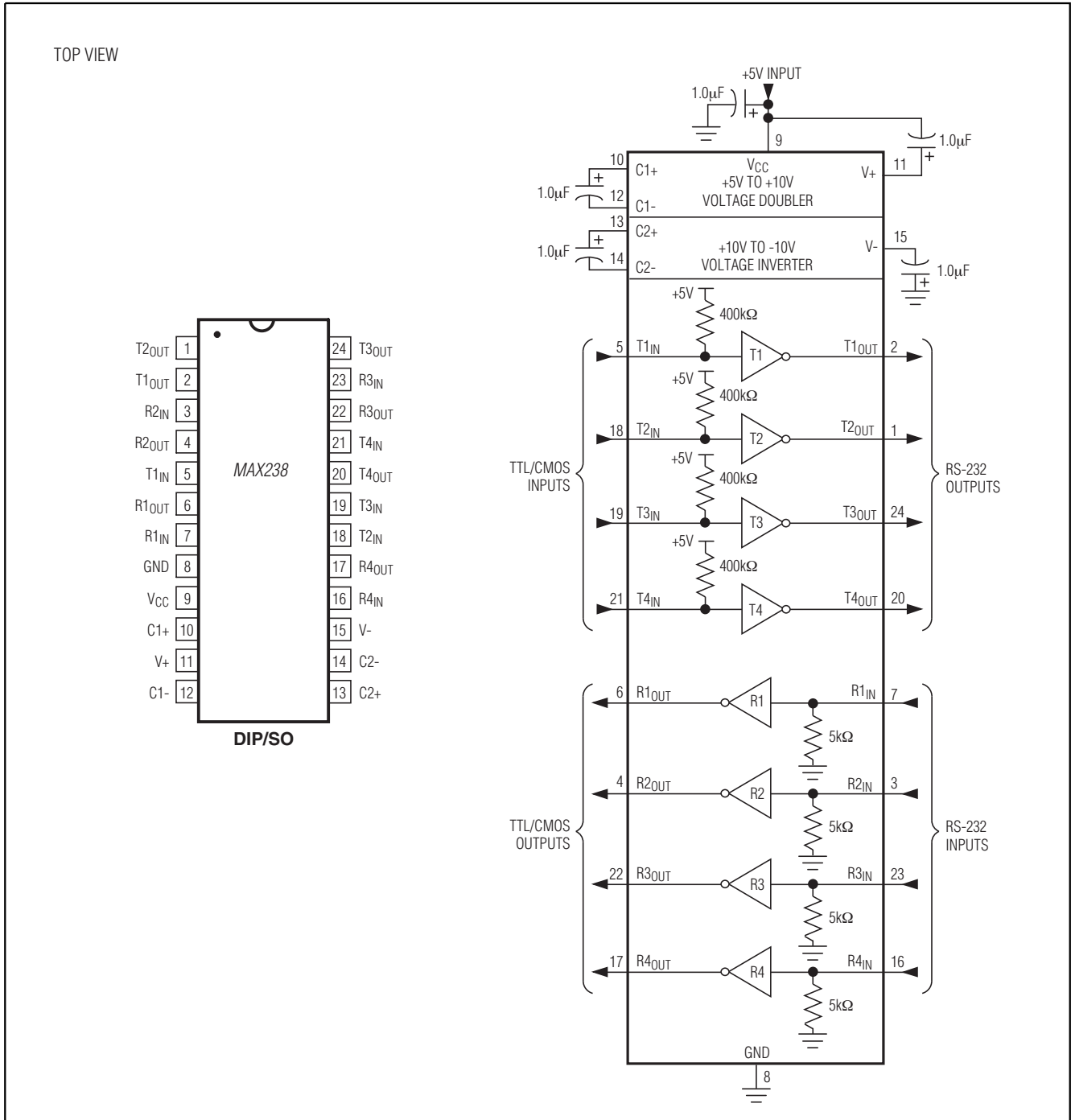


図16. MAX238のピン配置および標準動作回路

# +5V電源、多チャンネルRS-232ドライバ/レシーバ

MAX220-MAX249

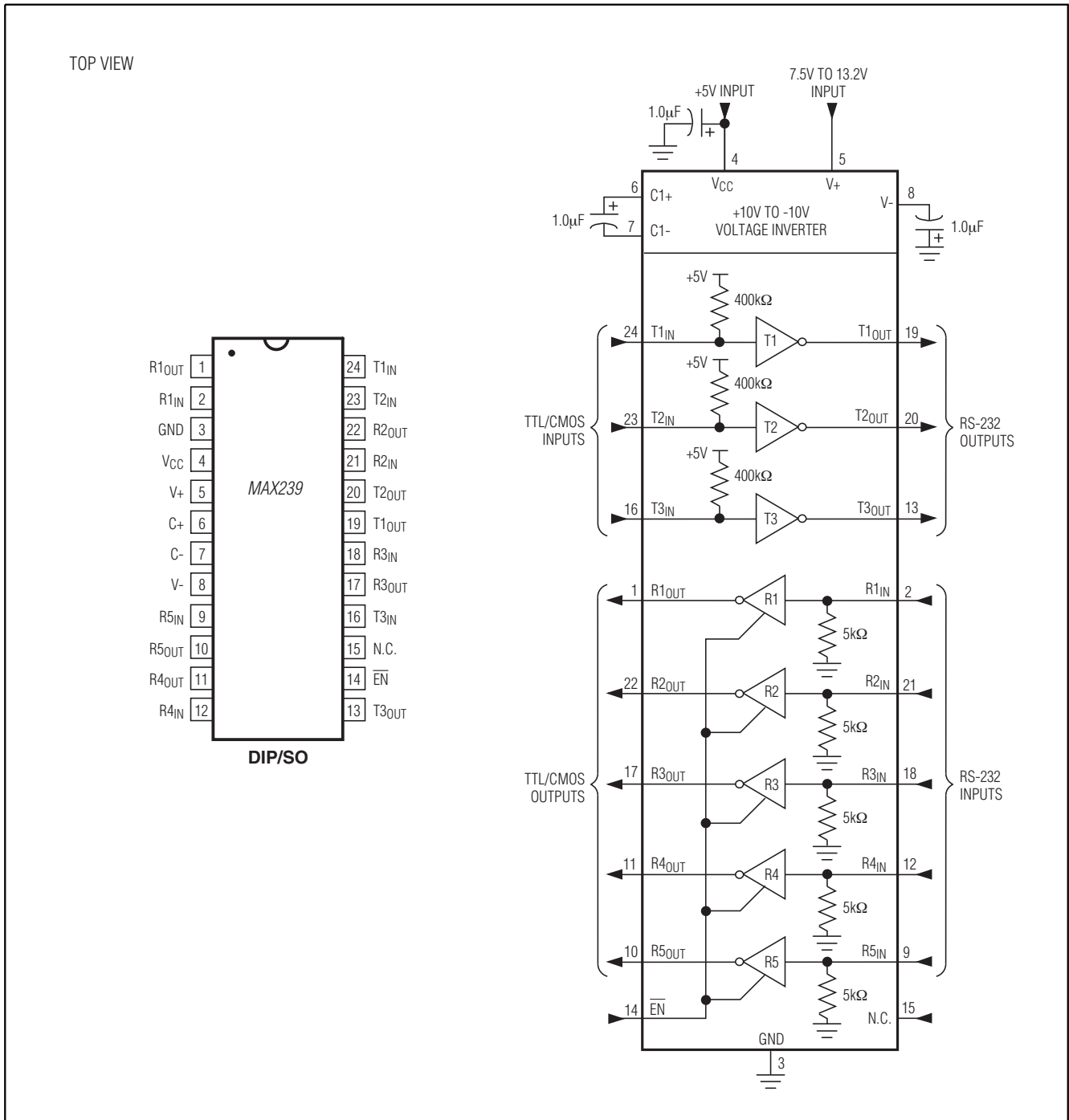


図17. MAX239のピン配置および標準動作回路

# +5V電源、多チャンネルRS-232ドライバ/レシーバ

MAX2220-MAX249

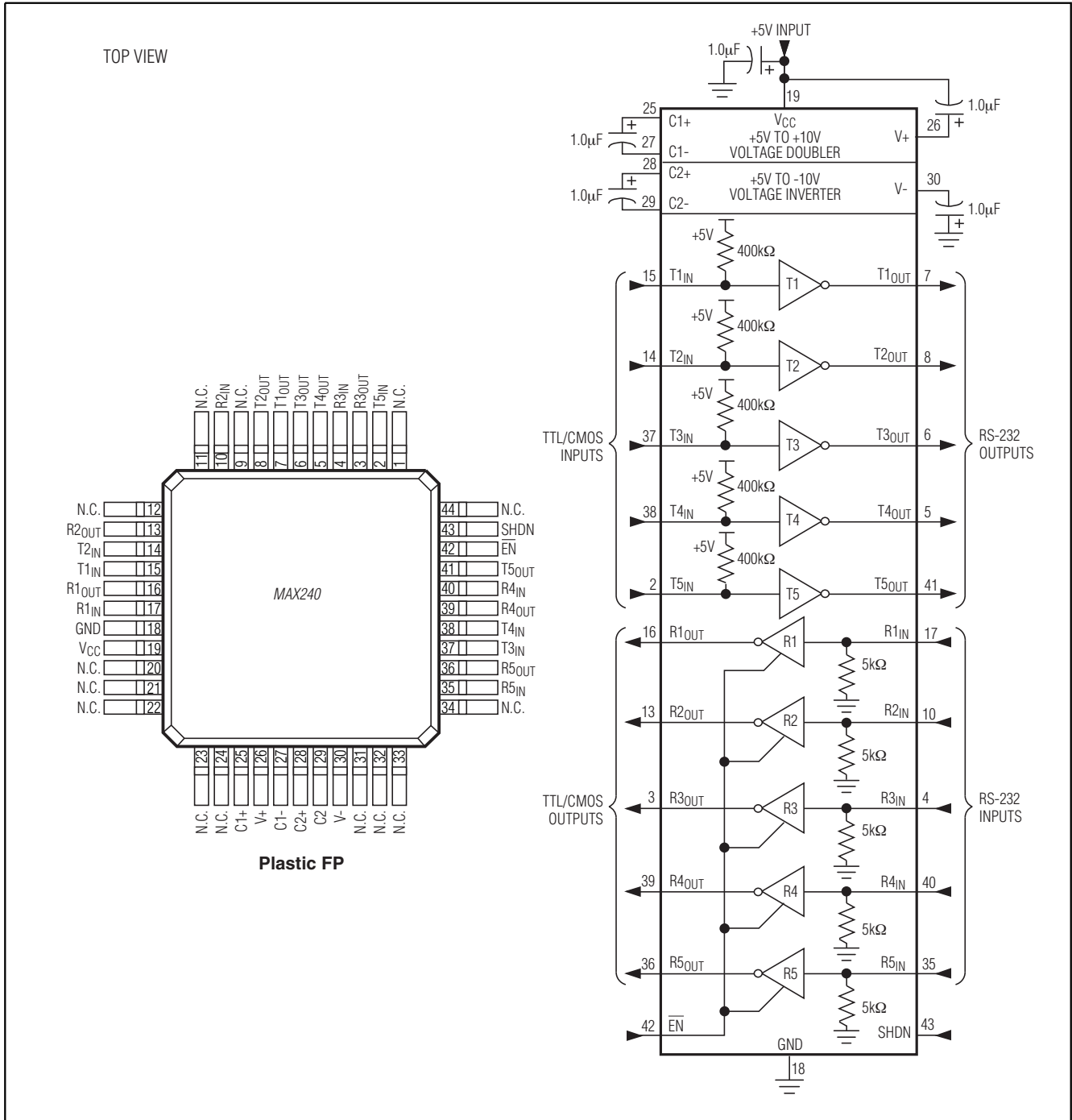


図18. MAX240のピン配置および標準動作回路

# +5V電源、多チャンネルRS-232ドライバ/レシーバ

MAX220-MAX249

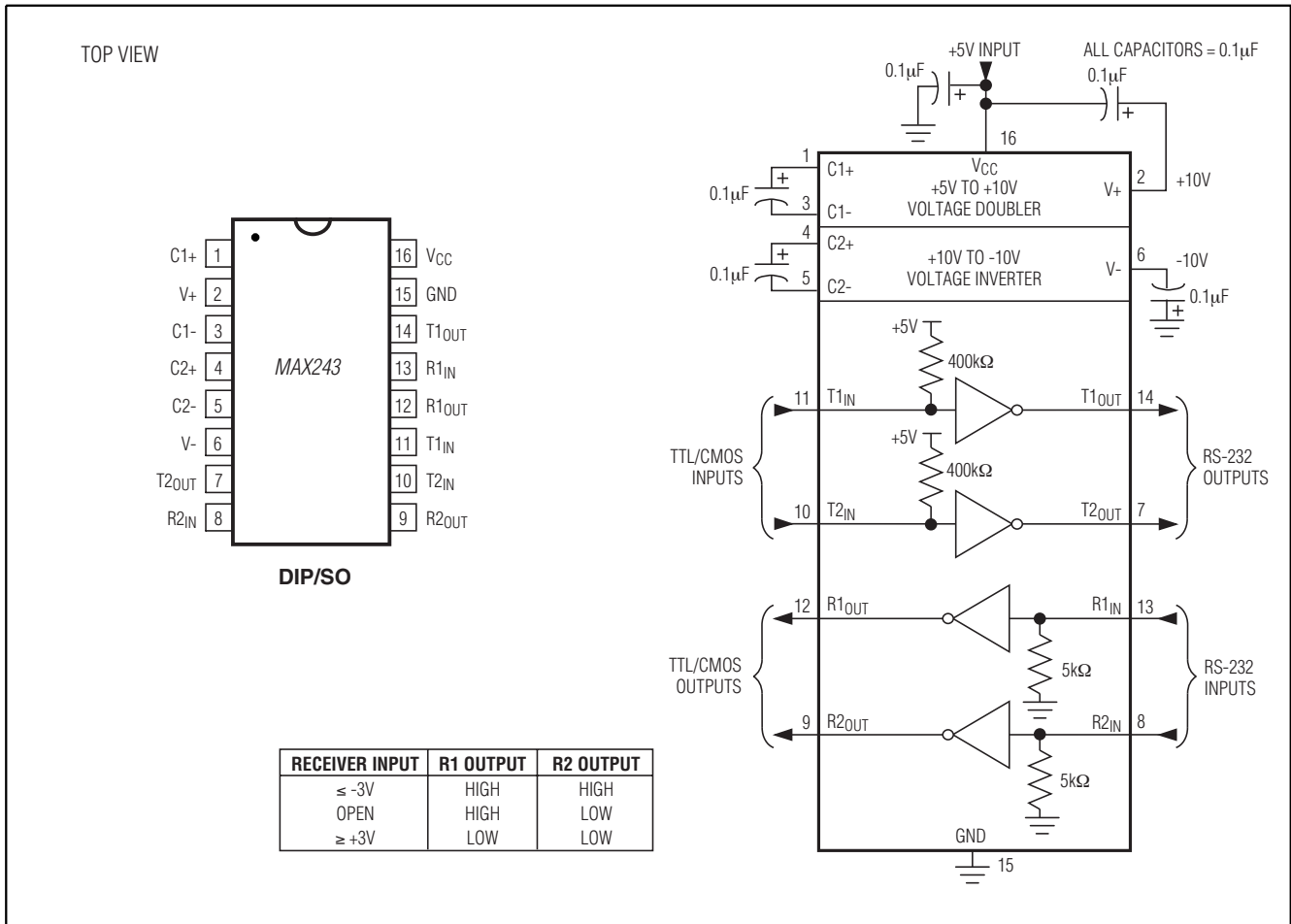


図19. MAX243のピン配置および標準動作回路

# +5V電源、多チャンネルRS-232ドライバ/レシーバ

MAX220-MAX249

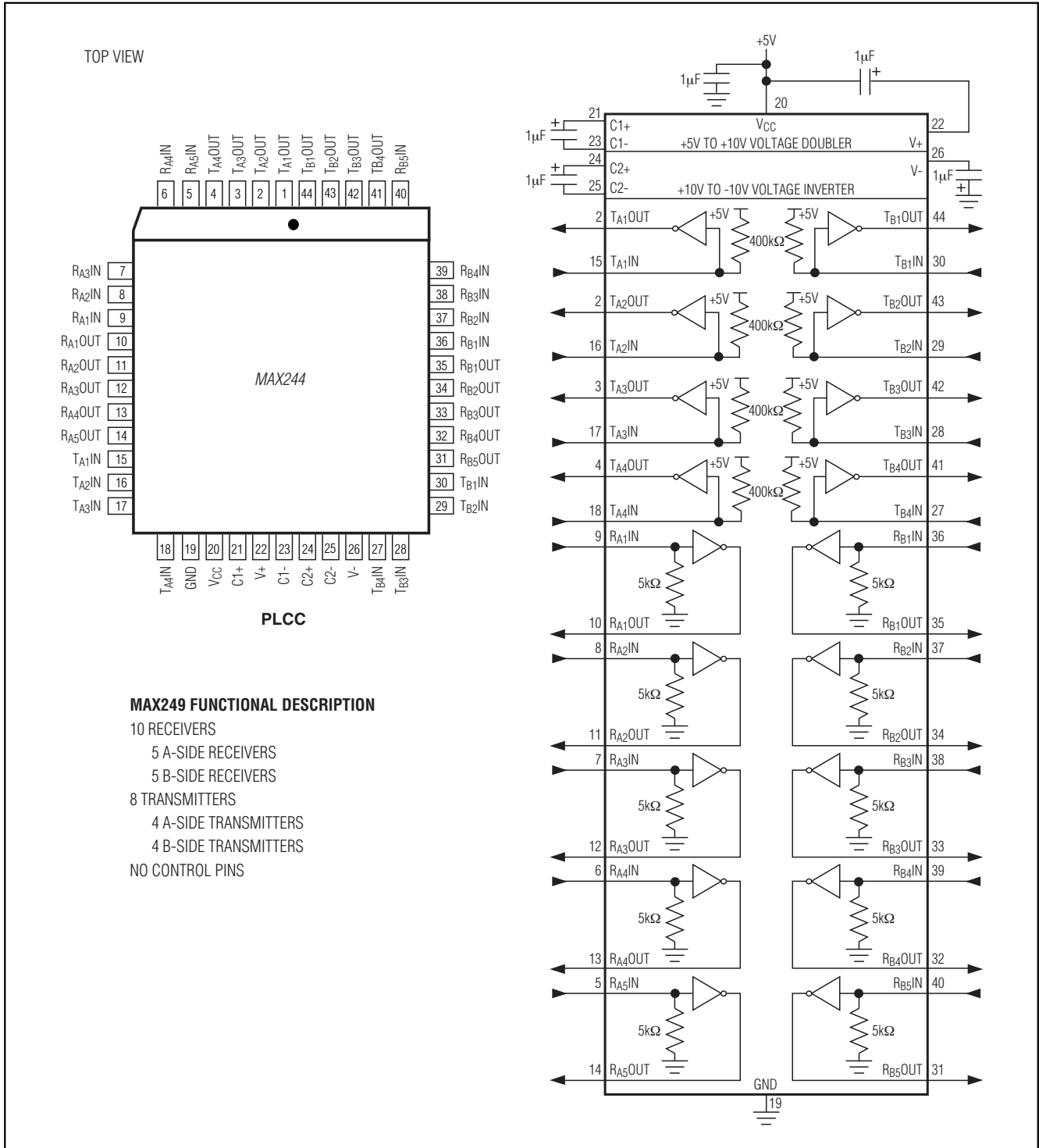


図20. MAX244のピン配置および標準動作回路



# +5V電源、多チャンネルRS-232ドライバ/レシーバ

MAX220-MAX249

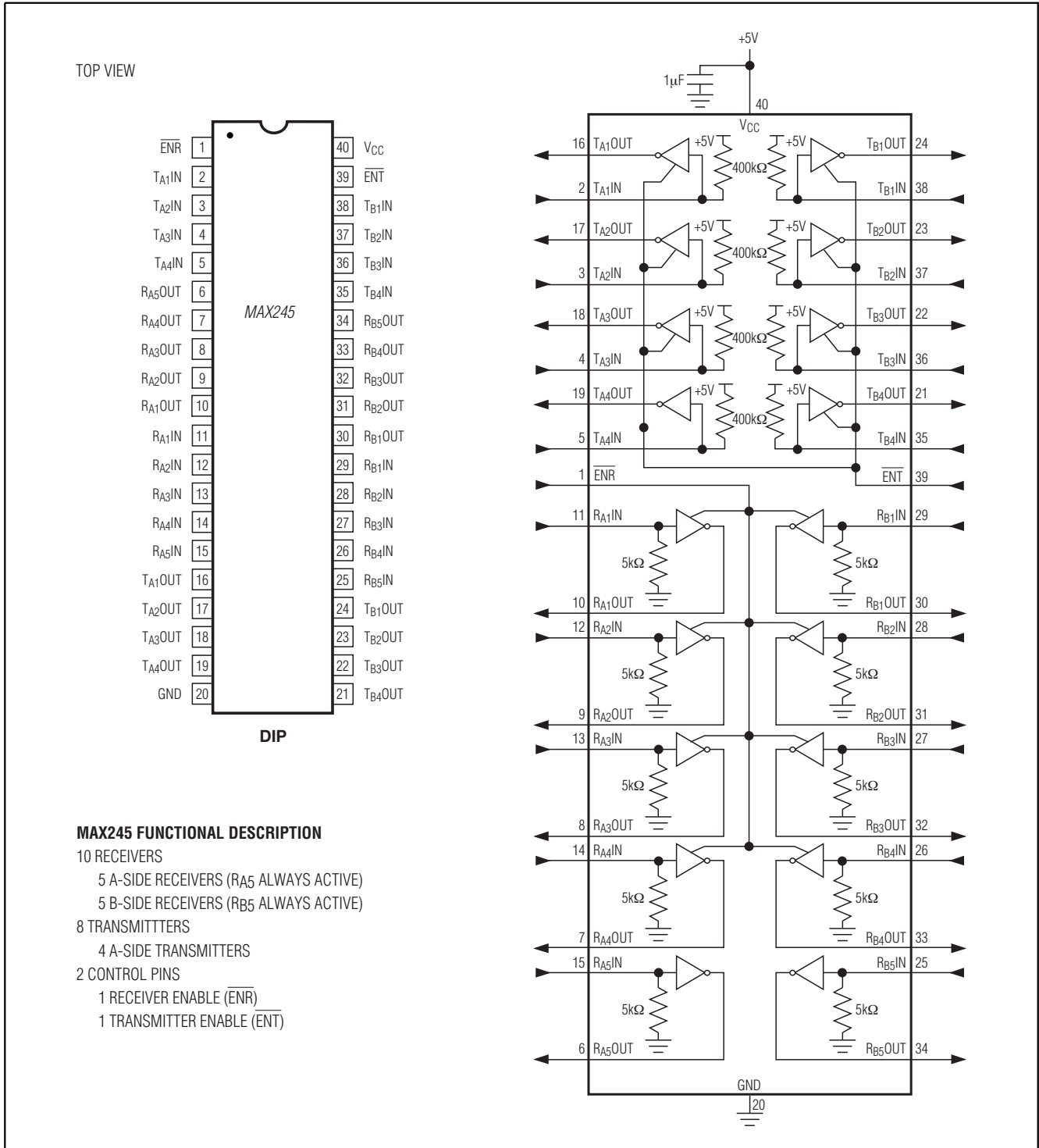


図21. MAX245のピン配置および標準動作回路

# +5V電源、多チャンネルRS-232ドライバ/レシーバ

MAX220-MAX249

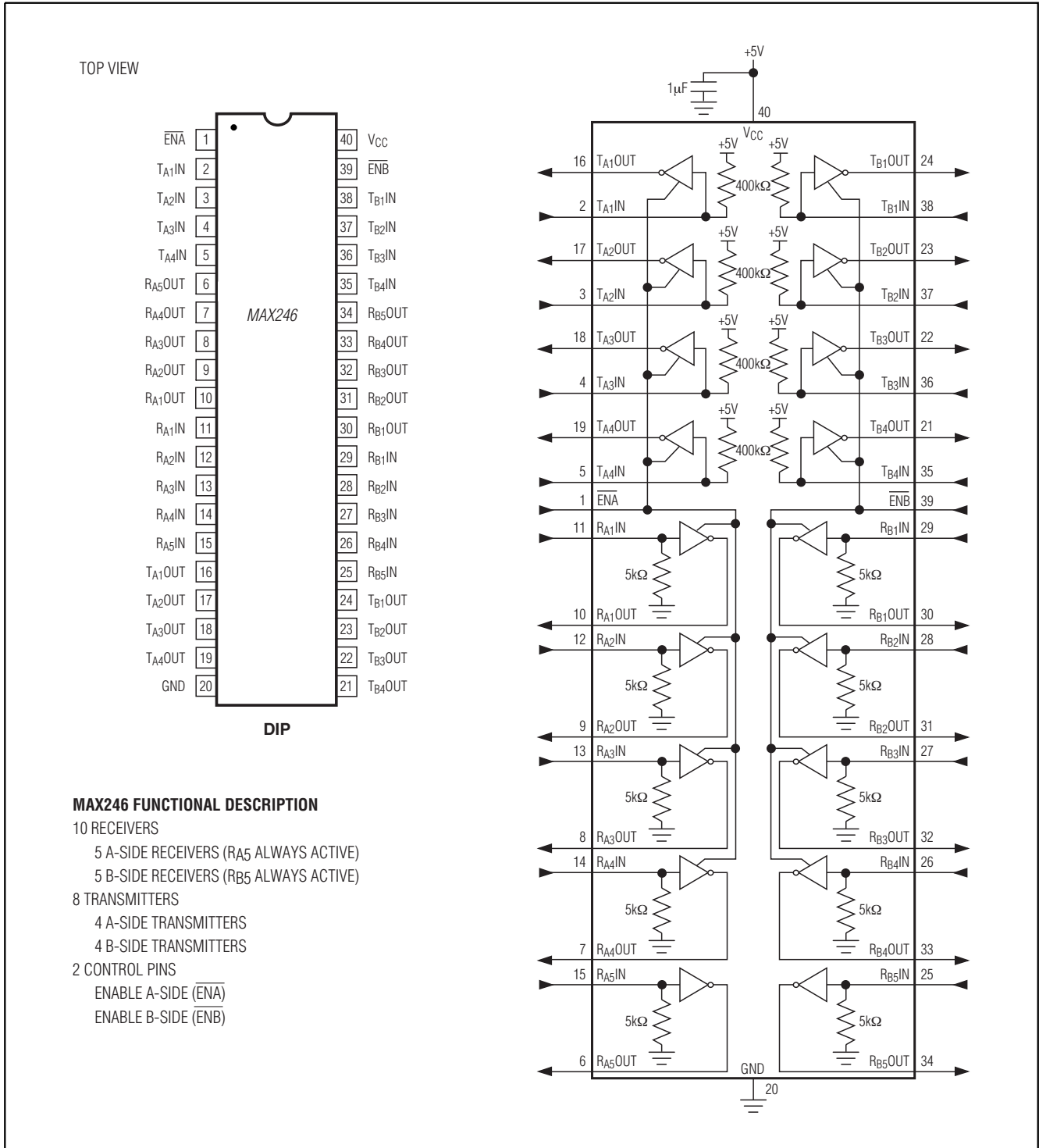
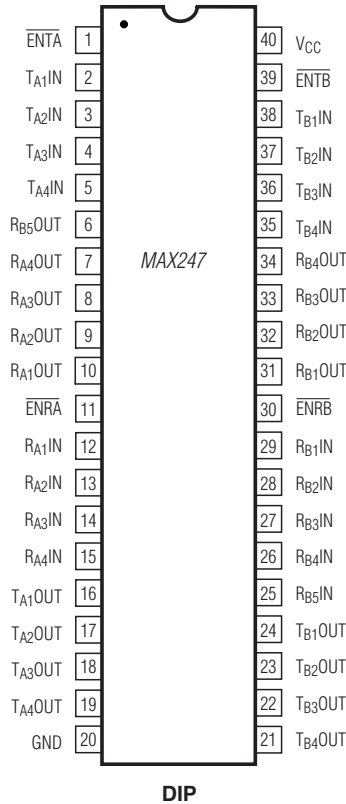


図22. MAX246のピン配置および標準動作回路

# +5V電源、多チャンネルRS-232ドライバ/レシーバ

MAX220-MAX249

TOP VIEW



## MAX247 FUNCTIONAL DESCRIPTION

9 RECEIVERS

4 A-SIDE RECEIVERS

5 B-SIDE RECEIVERS (RB5 ALWAYS ACTIVE)

8 TRANSMITTERS

4 A-SIDE TRANSMITTERS

4 B-SIDE TRANSMITTERS

4 CONTROL PINS

ENABLE RECEIVER A-SIDE (ENRA)

ENABLE RECEIVER B-SIDE (ENRB)

ENABLE RECEIVER A-SIDE (ENTA)

ENABLE RECEIVER B-SIDE (ENTB)

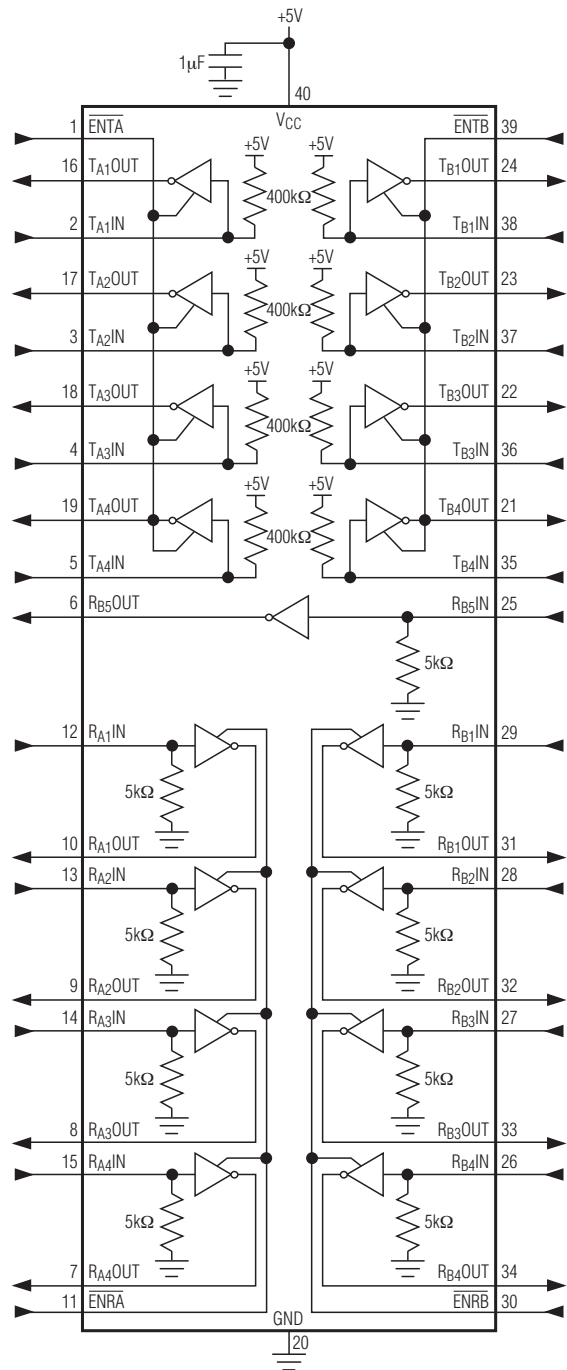


図23. MAX247のピン配置および標準動作回路

# +5V電源、多チャンネルRS-232ドライバ/レシーバ

MAX220-MAX249

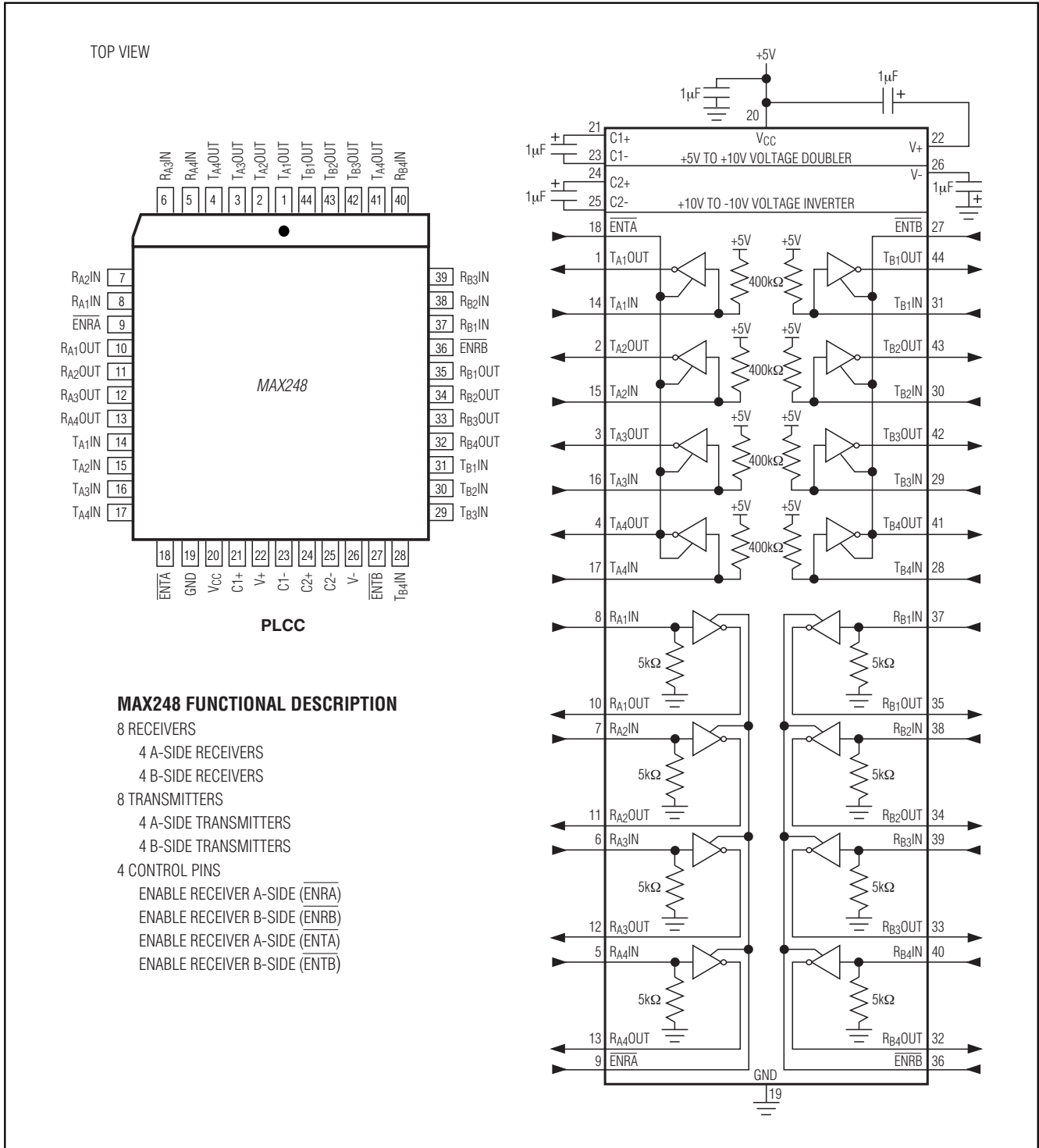


図24. MAX248のピン配置および標準動作回路

# +5V電源、多チャンネルRS-232ドライバ/レシーバ

MAX220-MAX249

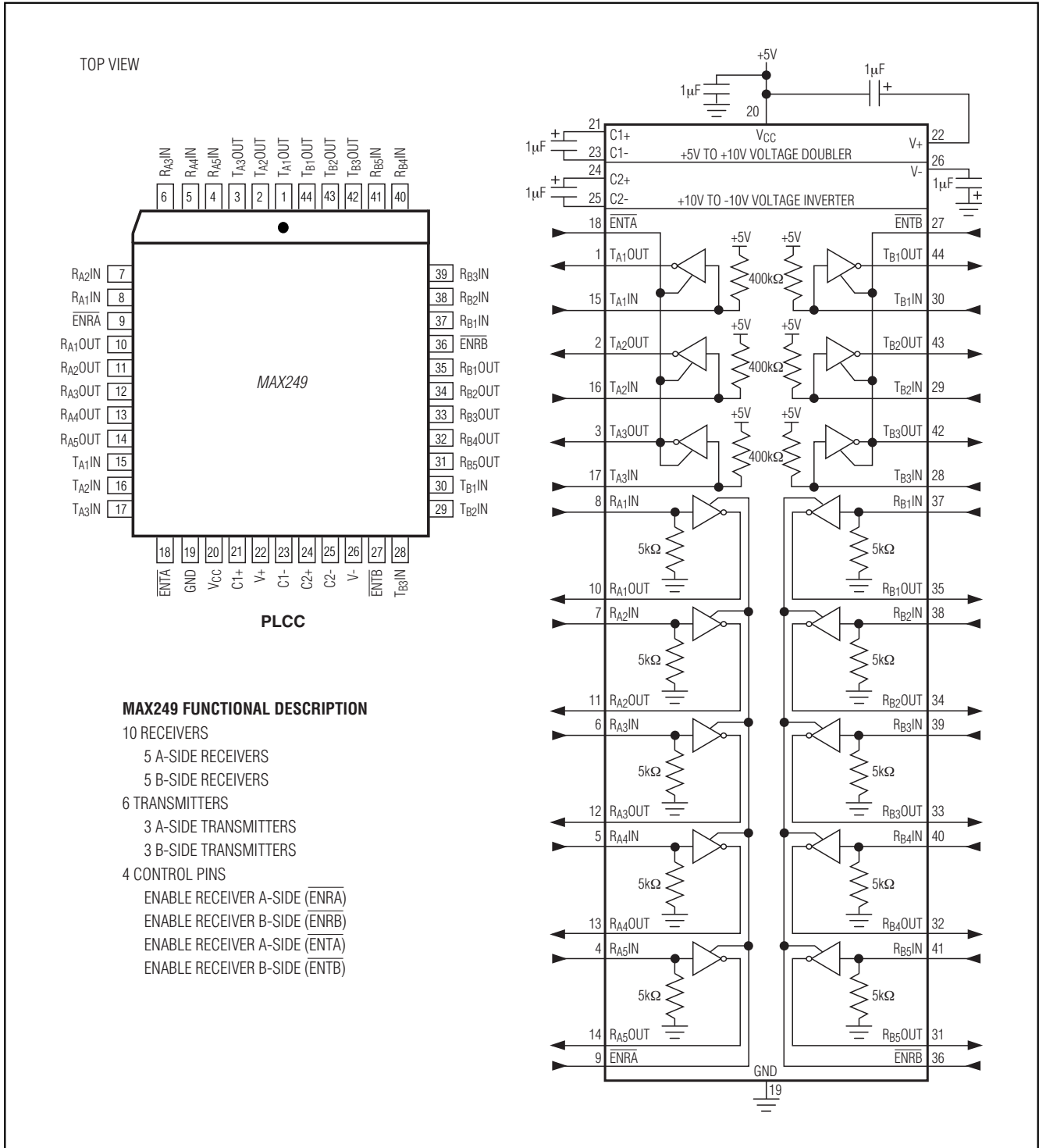


図25. MAX249のピン配置および標準動作回路

# +5V電源、多チャネルRS-232ドライバ/レシーバ

MAX220-MAX249

## 型番(続き)

PART	TEMP RANGE	PIN-PACKAGE
MAX222CPN	0°C to +70°C	18 Plastic DIP
MAX222CWN	0°C to +70°C	18 Wide SO
MAX222C/D	0°C to +70°C	Dice*
MAX222EPN	-40°C to +85°C	18 Plastic DIP
MAX222EWN	-40°C to +85°C	18 Wide SO
MAX222EJN	-40°C to +85°C	18 CERDIP
MAX222MJN	-55°C to +125°C	18 CERDIP
MAX223CAI	0°C to +70°C	28 SSOP
MAX223CWI	0°C to +70°C	28 Wide SO
MAX223C/D	0°C to +70°C	Dice*
MAX223EAI	-40°C to +85°C	28 SSOP
MAX223EWI	-40°C to +85°C	28 Wide SO
MAX225CWI	0°C to +70°C	28 Wide SO
MAX225EWI	-40°C to +85°C	28 Wide SO
MAX230CPP	0°C to +70°C	20 Plastic DIP
MAX230CWP	0°C to +70°C	20 Wide SO
MAX230C/D	0°C to +70°C	Dice*
MAX230EPP	-40°C to +85°C	20 Plastic DIP
MAX230EWP	-40°C to +85°C	20 Wide SO
MAX230EJP	-40°C to +85°C	20 CERDIP
MAX230MJP	-55°C to +125°C	20 CERDIP
MAX231CPD	0°C to +70°C	14 Plastic DIP
MAX231CWE	0°C to +70°C	16 Wide SO
MAX231CJD	0°C to +70°C	14 CERDIP
MAX231C/D	0°C to +70°C	Dice*
MAX231EPD	-40°C to +85°C	14 Plastic DIP
MAX231EWE	-40°C to +85°C	16 Wide SO
MAX231EJD	-40°C to +85°C	14 CERDIP
MAX231MJD	-55°C to +125°C	14 CERDIP
MAX232CPE	0°C to +70°C	16 Plastic DIP
MAX232CSE	0°C to +70°C	16 Narrow SO
MAX232CWE	0°C to +70°C	16 Wide SO
MAX232C/D	0°C to +70°C	Dice*
MAX232EPE	-40°C to +85°C	16 Plastic DIP
MAX232ESE	-40°C to +85°C	16 Narrow SO
MAX232EWE	-40°C to +85°C	16 Wide SO
MAX232EJE	-40°C to +85°C	16 CERDIP
MAX232MJE	-55°C to +125°C	16 CERDIP
MAX232MLP	-55°C to +125°C	20 LCC
MAX232ACPE	0°C to +70°C	16 Plastic DIP
MAX232ACSE	0°C to +70°C	16 Narrow SO
MAX232ACWE	0°C to +70°C	16 Wide SO

PART	TEMP RANGE	PIN-PACKAGE
MAX232AC/D	0°C to +70°C	Dice*
MAX232AEPE	-40°C to +85°C	16 Plastic DIP
MAX232AESE	-40°C to +85°C	16 Narrow SO
MAX232AEWE	-40°C to +85°C	16 Wide SO
MAX232AEJE	-40°C to +85°C	16 CERDIP
MAX232AMJE	-55°C to +125°C	16 CERDIP
MAX232AML	-55°C to +125°C	20 LCC
MAX233CPP	0°C to +70°C	20 Plastic DIP
MAX233EPP	-40°C to +85°C	20 Plastic DIP
MAX233ACPP	0°C to +70°C	20 Plastic DIP
MAX233ACWP	0°C to +70°C	20 Wide SO
MAX233AEPP	-40°C to +85°C	20 Plastic DIP
MAX233AERP	-40°C to +85°C	20 Wide SO
MAX234CPE	0°C to +70°C	16 Plastic DIP
MAX234CWE	0°C to +70°C	16 Wide SO
MAX234C/D	0°C to +70°C	Dice*
MAX234EPE	-40°C to +85°C	16 Plastic DIP
MAX234EWE	-40°C to +85°C	16 Wide SO
MAX234EJE	-40°C to +85°C	16 CERDIP
MAX234MJE	-55°C to +125°C	16 CERDIP
MAX235CPG	0°C to +70°C	24 Wide Plastic DIP
MAX235EPG	-40°C to +85°C	24 Wide Plastic DIP
MAX235EDG	-40°C to +85°C	24 Ceramic SB
MAX235MDG	-55°C to +125°C	24 Ceramic SB
MAX236CNG	0°C to +70°C	24 Narrow Plastic DIP
MAX236CWG	0°C to +70°C	24 Wide SO
MAX236C/D	0°C to +70°C	Dice*
MAX236ENG	-40°C to +85°C	24 Narrow Plastic DIP
MAX236EWG	-40°C to +85°C	24 Wide SO
MAX236ERG	-40°C to +85°C	24 Narrow CERDIP
MAX236MRG	-55°C to +125°C	24 Narrow CERDIP
MAX237CNG	0°C to +70°C	24 Narrow Plastic DIP
MAX237CWG	0°C to +70°C	24 Wide SO
MAX237C/D	0°C to +70°C	Dice*
MAX237ENG	-40°C to +85°C	24 Narrow Plastic DIP
MAX237EWG	-40°C to +85°C	24 Wide SO
MAX237ERG	-40°C to +85°C	24 Narrow CERDIP
MAX237MRG	-55°C to +125°C	24 Narrow CERDIP
MAX238CNG	0°C to +70°C	24 Narrow Plastic DIP
MAX238CWG	0°C to +70°C	24 Wide SO
MAX238C/D	0°C to +70°C	Dice*
MAX238ENG	-40°C to +85°C	24 Narrow Plastic DIP

\*Diceの詳細についてはお問い合わせ下さい。

# +5V電源、多チャネルRS-232ドライバ/レシーバ

MAX220-MAX249

## 型番(続き)

PART	TEMP RANGE	PIN-PACKAGE
MAX238EWG	-40°C to +85°C	24 Wide SO
MAX238ERG	-40°C to +85°C	24 Narrow CERDIP
MAX238MRG	-55°C to +125°C	24 Narrow CERDIP
<b>MAX239</b> CNG	0°C to +70°C	24 Narrow Plastic DIP
MAX239CWG	0°C to +70°C	24 Wide SO
MAX239C/D	0°C to +70°C	Dice*
MAX239ENG	-40°C to +85°C	24 Narrow Plastic DIP
MAX239EWG	-40°C to +85°C	24 Wide SO
MAX239ERG	-40°C to +85°C	24 Narrow CERDIP
MAX239MRG	-55°C to +125°C	24 Narrow CERDIP
<b>MAX240</b> CMH	0°C to +70°C	44 Plastic FP
MAX240C/D	0°C to +70°C	Dice*
<b>MAX241</b> CAI	0°C to +70°C	28 SSOP
MAX241CWI	0°C to +70°C	28 Wide SO
MAX241C/D	0°C to +70°C	Dice*
MAX241EAI	-40°C to +85°C	28 SSOP
MAX241EWI	-40°C to +85°C	28 Wide SO
<b>MAX242</b> CAP	0°C to +70°C	20 SSOP
MAX242CPN	0°C to +70°C	18 Plastic DIP
MAX242CWN	0°C to +70°C	18 Wide SO
MAX242C/D	0°C to +70°C	Dice*
MAX242EPN	-40°C to +85°C	18 Plastic DIP
MAX242EWN	-40°C to +85°C	18 Wide SO
MAX242EJN	-40°C to +85°C	18 CERDIP
MAX242MJN	-55°C to +125°C	18 CERDIP

PART	TEMP RANGE	PIN-PACKAGE
<b>MAX243</b> CPE	0°C to +70°C	16 Plastic DIP
MAX243CSE	0°C to +70°C	16 Narrow SO
MAX243CWE	0°C to +70°C	16 Wide SO
MAX243C/D	0°C to +70°C	Dice*
MAX243EPE	-40°C to +85°C	16 Plastic DIP
MAX243ESE	-40°C to +85°C	16 Narrow SO
MAX243EWE	-40°C to +85°C	16 Wide SO
MAX243EJE	-40°C to +85°C	16 CERDIP
MAX243MJE	-55°C to +125°C	16 CERDIP
<b>MAX244</b> CQH	0°C to +70°C	44 PLCC
MAX244C/D	0°C to +70°C	Dice*
MAX244EQH	-40°C to +85°C	44 PLCC
<b>MAX245</b> CPL	0°C to +70°C	40 Plastic DIP
MAX245C/D	0°C to +70°C	Dice*
MAX245EPL	-40°C to +85°C	40 Plastic DIP
<b>MAX246</b> CPL	0°C to +70°C	40 Plastic DIP
MAX246C/D	0°C to +70°C	Dice*
MAX246EPL	-40°C to +85°C	40 Plastic DIP
<b>MAX247</b> CPL	0°C to +70°C	40 Plastic DIP
MAX247C/D	0°C to +70°C	Dice*
MAX247EPL	-40°C to +85°C	40 Plastic DIP
<b>MAX248</b> CQH	0°C to +70°C	44 PLCC
MAX248C/D	0°C to +70°C	Dice*
MAX248EQH	-40°C to +85°C	44 PLCC
<b>MAX249</b> CQH	0°C to +70°C	44 PLCC
MAX249EQH	-40°C to +85°C	44 PLCC

\*Diceの詳細についてはお問い合わせ下さい。

## パッケージ

最新のパッケージ情報は、[japan.maxim-ic.com/packages](http://japan.maxim-ic.com/packages)をご参照ください。

## 改定履歴

Rev 15で改訂されたページ：2~5、8、9、36



マキシム・ジャパン株式会社 〒141-0032 東京都品川区大崎1-6-4 大崎ニューシティ 4号館 20F TEL: 03-6893-6600

Maximは完全にMaxim製品に組み込まれた回路以外の回路の使用について一切責任を負いかねます。回路特許ライセンスは明言されていません。Maximは随時予告なく回路及び仕様を変更する権利を留保します。「Electrical Characteristics (電気的特性)」の表に示すパラメータ値(min、maxの各制限値)は、このデータシートの他の場所で引用している値より優先されます。