

TC8566AF

Floppy Disk Controller

1. INTRODUCTION

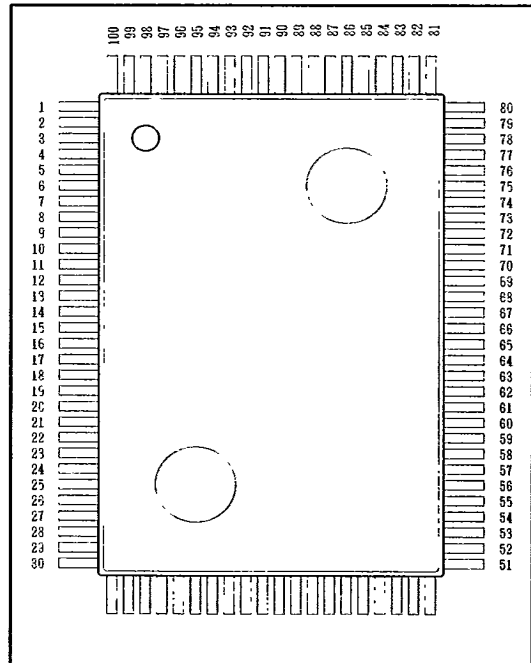
TC8566AF is a single chip LSI for Floppy Disk controller which has VFO and other circuits with FDC chip for interfacing a processor to floppy disk drives.

2. FEATURES

- o Si-Gate CMOS technology
- o Single +5V power supply
- o 100 pin plastic flat package
- o Compatible FDC with TC8565AP
- o Built-in VCO and data separator circuit.
- o 16MHz oscillator inverter.
- o Standby function for battery operation
- o I/O address decoder include
- o Standard(500Kbps) and Mini(250Kbps) programable
- o FM,MFM recording formats (Specified by command)
- o Multi-sector data transfer
- o Up to four floppy disk drives
- o MOTOR ENABLE control for 4 drives
- o Direct interface to FDD with CMOS type interface system
- o Parallel seek operation up to four floppy disk drives
- o Programmable step rate time
- o Write pre-compensation circuit
- o Compatible with IBM track formats
- o Including CRC check function

$$(X^{16} + X^{12} + X^5 + 1)$$

- o DMA/Non DMA transfer



TC8566AF-1

080288

735

6

FLOPPY DISK CONTROLLER

The TC8566AF is an improvement on the TC8566F. The differences between them are as follows.

o VFO Part

- 66F : 2 filter switching type.
- 66AF : 2 filter switching type or 1 filter non-switching type, selectively.

o Address Decoder

- 66F : Address F0,F1 (Hex) is inhibit.
- 66AF : Address F0,F1 (Hex) is no selection.

o DMA Terminal Count

- 66F : DMATC signal is independent of ENID bit.
- 66AF : DMATC signal is enabled when ENID bit is "1".

o Step Rate Select

- 66F : Step Rate Time is selected by 2ms for mini-floppy mode (internal FDC Clock is 4MHz).
- 66AF : There is an option for mini-floppy mode that the FDC allows the internal Clock to be 8MHz at seek mode. Then step rate time is programable by 1ms like standard floppy mode.

o Reset State

- 66AF : Drive Output Signals, WE, HL, HS, FR, STP, LC and DR become inactive when the external RESET signal is on a high level.

o Relation between Drive Select Signals and Motor Enable Signals

- 66F : Drive Select Signals are independent of Motor Enable Signals.
- 66AF : When drive select bits of the control register is used (CDS signal is on a high level), each Drive Select Signal is enabled by the corresponding Motor Enable Signal.

TC8566AF-2

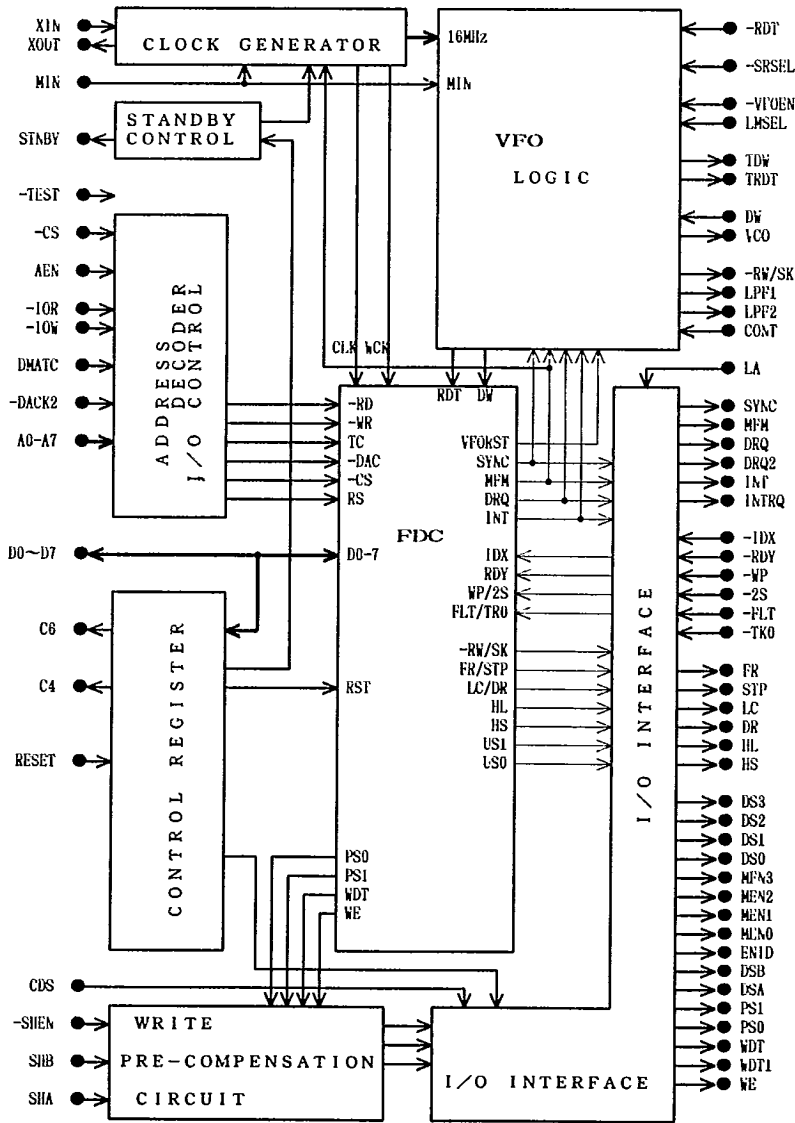
080288

736

FLOPPY DISK CONTROLLER II

3. FLOPPY DISK SYSTEM

3.1. INTERNAL BLOCK DIAGRAM OF TC8566AF



TC8566AF-3

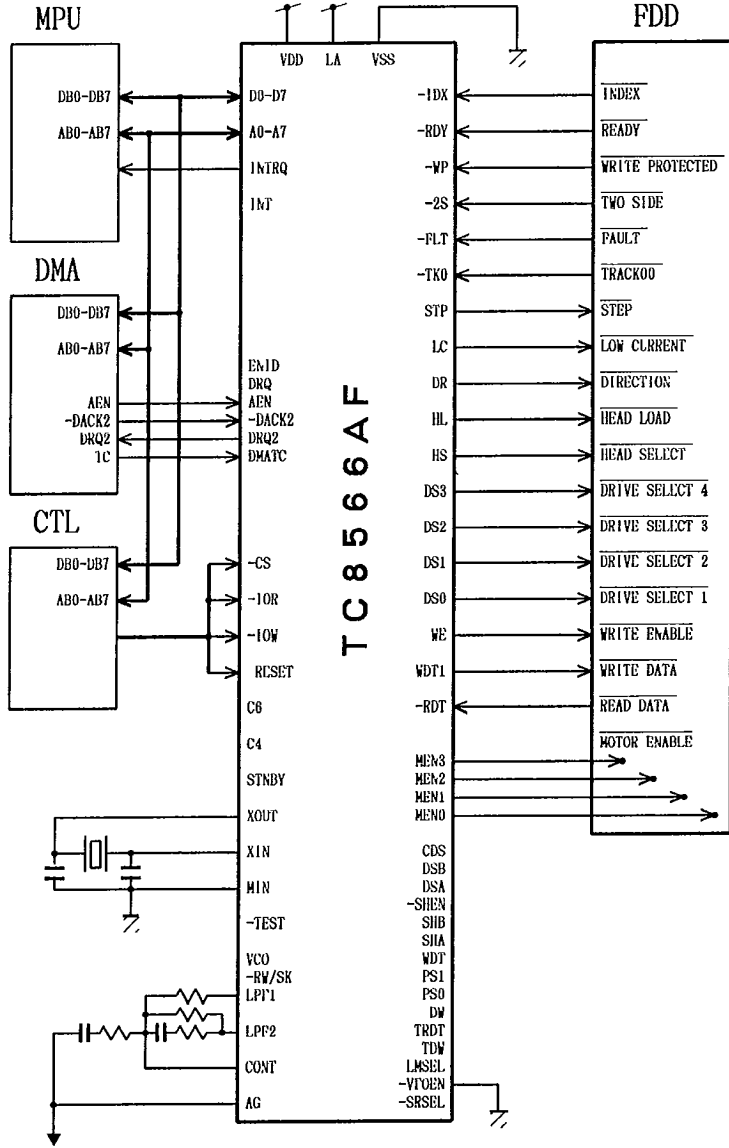
080288

737

FLOPPY DISK CONTROLLER

3.2. APPLICATION OF TC8566AF

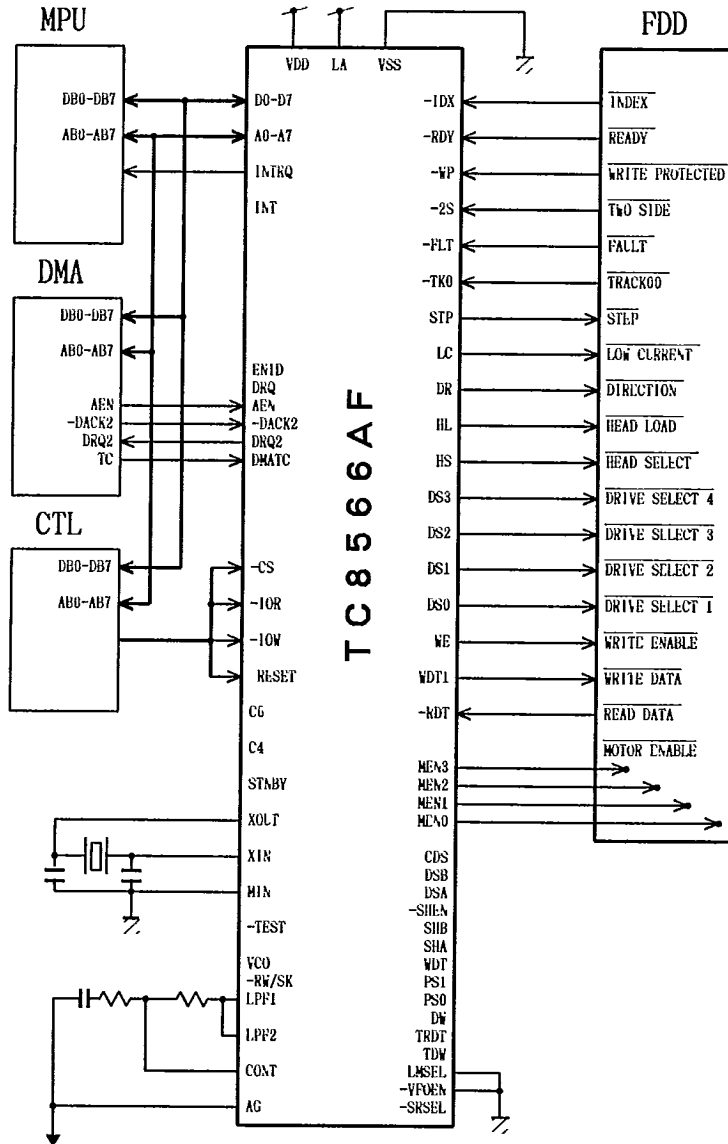
3.2.1. 2 FILTER SWITCHING TYPE



TC8566AF-4
 080288
 738

FLOPPY DISK CONTROLLER

3.2.2. 1 FILTER SWITCHING TYPE



TC8566AF-5
080288
739

FLOPPY DISK CONTROLLER

4. PIN DESCRIPTION

4.1. PIN CONFIGURATION

| NO. | I/O | NAME | NO. | I/O | NAME | NO. | I/O | NAME |
|-----|-----|--------|-----|-----|--------|-----|-----|-------|
| 1 | O | C6 | 36 | IO | VCO | 71 | O | FR |
| 2 | I | -IOR | 37 | O | LPF2 | 72 | O | LC |
| 3 | | NC | 38 | O | LPF1 | 73 | O | DR |
| 4 | I | -IOW | 39 | O | CW | 74 | G | VSS |
| 5 | I | A0 | 40 | I | DW | 75 | V | VDD |
| 6 | I | A1 | 41 | O | FLT1 | 76 | I | -IDX |
| 7 | I | A2 | 42 | O | DOS | 77 | I | -RDY |
| 8 | I | A3 | 43 | I | LOCK | 78 | | NC |
| 9 | I | A4 | 44 | I | -RDT | 79 | | NC |
| 10 | I | A5 | 45 | O | XOUT | 80 | I | -WP |
| 11 | I | A6 | 46 | I | XIN | 81 | I | -2S |
| 12 | I | A7 | 47 | I | -VFOEN | 82 | I | -FLT |
| 13 | I | -CS | 48 | I | MIN | 83 | I | -TKO |
| 14 | I | AEN | 49 | O | MFM | 84 | O | PS1 |
| 15 | IO | D0 | 50 | | NC | 85 | O | PS0 |
| 16 | IO | D1 | 51 | | NC | 86 | O | DSB |
| 17 | IO | D2 | 52 | | NC | 87 | O | DSA |
| 18 | IO | D3 | 53 | I | -CL | 88 | I | LA |
| 19 | IO | D4 | 54 | G | VSS | 89 | | NC |
| 20 | IO | D5 | 55 | O | SYNC | 90 | V | VDD |
| 21 | IO | D6 | 56 | O | WDT1 | 91 | | NC |
| 22 | IO | D7 | 57 | O | WE | 92 | I | CDS |
| 23 | O | DRQ2 | 58 | O | HS | 93 | I | RESET |
| 24 | O | INTRQ | 59 | O | HL | 94 | I | SHB |
| 25 | O | INT | 60 | O | MEN3 | 95 | I | SHA |
| 26 | O | DRQ | 61 | O | MEN2 | 96 | I | -SHEN |
| 27 | G | VSS | 62 | O | MEN1 | 97 | O | STNBY |
| 28 | G | AG | 63 | O | MEN0 | 98 | O | WDT |
| 29 | | NC | 64 | G | VSS | 99 | O | ENID |
| 30 | | NC | 65 | V | VDD | 100 | O | C4 |
| 31 | | NC | 66 | O | DS3 | | | |
| 32 | I | -DACK2 | 67 | O | DS2 | | | |
| 33 | I | DMATC | 68 | O | DS1 | | | |
| 34 | I | CONT | 69 | O | DS0 | | | |
| 35 | I | -TEST | 70 | O | STP | | | |

TC8566AF-6

080288

740

4.2. DESCRIPTION OF PIN FUNCTION

- [1] C6 (CONTROL OUT BIT 6) output
Output port of C6 bit in a control register.
- [2] -IOR (IO READ) Input
Low active control signal to transfer data from the FDC to the Data-bus.
- [3] NC (NON CONNECT)
- [4] -IOW (IO WRITE) Input
Low active control signal to transfer data from the Data-bus to the FDC.
- [5] A0 (ADDRESS 0) Input
- [6] A1 (ADDRESS 1) Input
- [7] A2 (ADDRESS 2) Input
- [8] A3 (ADDRESS 3) Input
- [9] A4 (ADDRESS 4) Input
- [10] A5 (ADDRESS 5) Input
- [11] A6 (ADDRESS 6) Input
- [12] A7 (ADDRESS 7) Input
Address select input.
- [13] -CS (Chip Select) Input
- [14] AEN (Address enable) Input
"Low level" on [-CS] and [AEN] selects the FDC-II, and allows [-IOR] and [-IOW] to be effective.
- [15] D0 (DATA 0) Input/Output
- [16] D1 (DATA 1) Input/Output
- [17] D2 (DATA 2) Input/Output
- [18] D3 (DATA 3) Input/Output
- [19] D4 (DATA 4) Input/Output
- [20] D5 (DATA 5) Input/Output
- [21] D6 (DATA 6) Input/Output
- [22] D7 (DATA 7) Input/Output
Bidirectional 8-bit Data Bus.
- [23] DRQ2 (DMA REQUEST 2) Output
Request signal for DMA transfer. This signal is the delayed [DRQ] from internal FDC chip. This signal is disabled to "Low level" with setting 0(zero) on the ENID bit in the CONTROL-REGISTER-0.
- [24] INTRQ (INTERRUPT REQUEST) Output
Interrupt request signal for system from internal FDC chip. This signal is disabled to "LOW level" with setting 0(zero) on the ENID bit in the CONTROL-REGISTER-0.
- [25] INT (INTERRUPT) Output
Interrupt request signal from internal FDC chip.

TC8566AF-7

080288

741

6

FLOPPY DISK CONTROLLER

- [26] DRQ (DMA REQUEST) Output
DMA request signal from internal FDC chip.
- [27] VSS (GROUND)
Chips ground for digital circuits.
- [28] AG (ANALOGUE GROUND)
Analog ground for VCO and PLL circuits.
- [29-31] NC (NON CONNECT)
- [32] -DACK2 (DMA ACKNOWLEDGE) Input
Low active DMA cycle executing signal. When the FDC works DMA MODE, this signal controls DMA I/O.
- [33] DMATC (DMA TERMINAL COUNT) Input
High active DMA transfer terminating signal. When the FDC works DMA MODE, this signal terminates the DMA transfer.
- [34] CONT (VCO CONTROL INPUT) Input / Analog signal.
Analog voltage control input for VCO.
- [35] -TEST (CHIP TEST) Input
The input terminal for LSI test. Internal PULL UP device allows to "High level" even if open circuits.
- [36] VCO (VCO TEST) Input/Output
The input/output terminal for LSI test. To leave open for normal operation.
- [37] LPF2 (LOW PASS FILTER 2) Output
The charge pump output for external Low Pass Filter. This output will select after PLL has pulled in the read signal and use low gain filter.
- [38] LPF1 (LOW PASS FILTER 1) Output
The charge pump output for external Low Pass Filter. This output will activate when PLL circuit force to lock the read signal (Pull-in mode).
- [39] TRDT (TEST READ DATA) Output
The terminal for test. Use in non-connect.
- [40] DW (DATA WINDOW) Input
The window(for FDC) signal input when "External VCO mode" is selected. If internal VFO will be used, "HIGH or LOW level" should be applied for safe operation.
- [41] -RW/SK (READ : WRITE/SEEK) Output
"Low" shows that read/write mode is selected, and "High" shows that seek mode is selected.

TC8566AF-8

080288

742

FLOPPY DISK CONTROLLER II

- [42] TDW (TEST DATA WINDOW) Output
The terminal for test. Use in non-connect.
- [43] LMSEL (LOCK MODE SELECT) Input
This signal decides the operation of the internal VFO circuit. Pull-up resistor is on-chip. The VFO operates in one filter non-switching mode when "Low", and operates in two filter (high gain and low gain filter) switching mode when "High" or open.
- [44] -RDT (READ DATA) Input
The input for the READ DATA from the floppy disk drive. When internal VFO is operated, the negative MFM signal is applied. And when external VFO is used, then applied positive MFM signals.
- [45] XOUT (XTAL OUT) Output
This output is inverted signal of [XIN], or connected the crystal oscillator.
- [46] XIN (XTAL IN) Input
This input connects the crystal oscillator or external clock signal. In the standard usage, use 16MHz crystal oscillator.
- [47] -VFOEN (VFO ENABLE) Input
"LOW level" on this terminal will select built-in VFO (internal). Otherwise use external VFO IC.
- [48] MIN (MINI FLOPPY) Input
"HIGH level" on this terminal will select MINI-FLOPPY MODE and "LOW-level" will select STANDARD FLOPPY MODE.
In the MINI-FLOPPY mode, data transfer will perform at 250Kbps with 4MHz internal FDC clock which is selected by the clock control circuit in the LSI.
- [49] MFM (MFM MODE) Output
This terminal output will show the mode of operation of FDC. "HIGH level" on this terminal shows that the FDC works at MFM mode and otherwise shows FM mode.
- [50-52] NC

TC8566AF-9

080288

743



FLOPPY DISK CONTROLLER

- [53] -SRSEL (STEP RATE SELECT) Input
When mini-floppy mode, this signal enables to change the internal FDC clock in accordance with the FDC operation mode. Pull-up resistor is on-chip.

| MIN. | -SRSEL | -RW/SK | FDC OPERATION CLOCK |
|------|---------------------|--------|---------------------|
| Low | X | X | Standard mode |
| High | High or non-connect | X | mini mode |
| High | Low | Low | mini mode |
| High | Low | High | Standard mode |

"Low" enables to select 3ms step rate time for mini-floppy.

- [54] VSS (GROUND)
Chips ground for digital circuits.
- [55] SYNC (READ SYNC) Output
Indicate that FDC read out data from FDD. Signal for external VFO mode.
- [56] WDT1 (WRITE DATA 1) Output
Pre-compensated write data.
- [57] WE (WRITE ENABLE) Output
Write enable signal for FDD.
- [58] HS (HEAD SELECT) Output
Head select signal when LA=High when LA=Low
 High Head 0 Head 1
 Low Head 1 Head 0
- [59] HL (HEAD LOAD) Output
FDD head load signal. Low active when LA=Low.
- [60] MEN3 (MOTOR ENABLE 3) Output
Motor enable for drive #3.
- [61] MEN2 (MOTOR ENABLE 3) Output
Motor enable for drive #2.
- [62] MEN1 (MOTOR ENABLE 3) Output
Motor enable for drive #1.
- [63] MENO (MOTOR ENABLE 3) Output
Motor enable for drive #0.
- [64] VSS (GROUND)
Chips ground for digital circuits.

TC8566AF-10

080288

744

FLOPPY DISK CONTROLLER II

- [65] VDD (+5V POWER SUPPLY)
- [66] DS3 (DRIVE SELECT 3) Output
Drive select for drive #3.
- [67] DS2 (DRIVE SELECT 2) Output
Drive select for drive #2.
- [68] DS1 (DRIVE SELECT 1) Output
Drive select for drive #1.
- [69] DS0 (DRIVE SELECT 0) Output
Drive select for drive #0.
- [70] STP (STEP PULSE) Output
Decoded step pulse signal, connected disk drives.
- [71] FR (FAULT RESET) Output
Decoded fault reset signal, usually used in 8-inch STANDARD FDD.
- [72] LC (LOW CURRENT) Output
Decoded Low current signal, indicates the Head position more inside than the 43rd track.
- [73] DR (DIRECTION) Output
Decoded direction signal for head seek.

| | | |
|------|------------|------------|
| when | LA=high | LA=low |
| low | inner seek | outer seek |
| high | outer seek | inner seek |
- [74] VSS (GROUND)
Chips ground for digital circuits.
- [75] VDD (+5V POWER SUPPLY)
- [76] -IDX (INDEX) Input
Index pulse input from FDD system interface.
- [77] -RDY (READY) Input
Drive ready signal from FDD system interface.
- [78] NC
- [79] NC
- [80] -WP (WRITE PROTECT) Input
Write protected indicate signal from FDD system interface.
- [81] -2S (2 SIDE) Input
Double sided indicate signal from FDD system interface. Usually use in the STANDARD 8-inch floppy disk.

TC8566AF-11

080288

745

FLOPPY DISK CONTROLLER

- [82] -FLT (FAULT) Input
Fault states indicate signal from FDD system interface. Usually use in the STANDARD 8-inch floppy disk.
- [83] -TKO (TRACK ZERO) Input
Head position indicate signal from FDD system interface. Low level on this terminal means that the head of FDD is on the TRACK #0 position.
- [84] PS1 (PRE- SHIFT 1) Output
- [85] PS0 (PRE- SHIFT 0) Output
Raw signal from internal FDC chip. External pre-compensation circuit will use this signal as follows

| PS0 | PS1 | PRE-SHIFT OPERATION |
|------|------|---------------------|
| low | high | Late |
| low | low | Normal |
| high | low | Early |

- [86] DSB (DRIVE SELECT B) Output
- [87] DSA (DRIVE SELECT A) Output
Undecoded drive select signal on the output of DS3-DS0.
- | | | |
|------|------|----------------|
| DSB | DSA | selected drive |
| low | low | Drive #0 |
| low | high | Drive #1 |
| high | low | Drive #2 |
| high | high | Drive #3 |
- [88] LA (LOW ACTIVE) Input
Physical active level select on the output of FDD system interface signal, that is WDT1, WE, HS, HL, MENO - MEN3, DS0 - DS3, STP, FR, LC, and DR. High level on this terminal means that these signal will low active and can connect to directly FDD which has CMOS type of interface specification.
- [89] NC
- [90] VDD (+5V POWER SUPPLY)
- [91]
- [92] CDS (CONTROL DRIVE SELECT) Input
When this terminal is high level, DSB and DSA bits in a control register are used as a drive select code. And when CDS is low level, US1 and US0 outputs from internal FDC are used as a drive select code.
- [93] RESET (RESET) Input
Reset control registers. The [-FRST] bit on the control register #0 is also reset, and consequently the internal FDC block is reset.

TC8566AF-12

080288

746

FLOPPY DISK CONTROLLER II

[94] SHB (SHIFT SELECT B) Input

[95] SHA (SHIFT SELECT A) Input

Select input for phase shift range of the write pre-compensation.

| | | S h i f t r a n g e | |
|------|------|---------------------|------------------|
| SHB | SHA | MIN mode (5,25inch) | STD mode (8inch) |
| low | low | 125ns | 62.5ns |
| low | high | 250ns | 125.0ns |
| high | low | 375ns | 187.5ns |
| high | high | 500ns | 250.0ns |

[96] -SHEN (SHIFT ENABLE) Input

If high level on this terminal, no pre-compensation shifting will be done.

[97] STNBY (STANDBY STATE) Output

This signal shows that FDC-II is in a standby mode. In a standby mode, all internal clock is stopped for save power dissipation and following signals are inactive states,
WDT1, WE, HS, HL, MENO -MEN3, DS0 - DS3, STP, FR, LC and DR.

[98] WDT (WRITE DATA) Output

Raw signal from internal FDC block. This signal made up of clock bits and data bits.

[99] ENID (ENABLE INT and DREQ) Output

Side output of ENID bit in a control register.

[100] C4 (CONTROL BIT 4) Output

Output of C4 bit in a control register.

FLOPPY DISK CONTROLLER

5. DESCRIPTION

5.1. CONTROL REGISTER AND PERIPHERAL CIRCUITS

5.1.1. REGISTER AND ADDRESS

| -AEN | -CS | A7 | A6 | A5 | A4 | A3 | A2 | A1 | A0 | Selection |
|------|------|------|------|------|------|------|------|------|------|-----------------|
| High | X | X | X | X | X | X | X | X | X | NO SELECTION |
| X | High | X | X | X | X | X | X | X | X | |
| X | X | Low | X | X | X | X | X | X | X | |
| X | X | X | Low | X | X | X | X | X | X | |
| X | X | X | X | Low | X | X | X | X | X | |
| X | X | X | X | X | Low | X | X | X | X | |
| X | X | X | X | X | X | High | X | X | X | |
| Low | Low | High | High | High | High | Low | Low | Low | Low | |
| Low | Low | High | High | High | High | Low | Low | Low | High | |
| Low | Low | High | High | High | High | Low | Low | High | Low | |
| Low | Low | High | High | High | High | Low | Low | High | High | CTL REG. 1 |
| Low | Low | High | High | High | High | Low | High | Low | Low | FDC STATUS REG. |
| Low | Low | High | High | High | High | Low | High | Low | High | FDC DATA REG. |
| Low | Low | High | High | High | High | Low | High | High | Low | NO |
| Low | Low | High | High | High | High | Low | High | High | High | SELECTION |

High:High Level, Low:Low level, X:Don't care.

CTL REG. 0 : Control register 0

CTL REG. 1 : Control register 1

5.1.2. CONDITION OF STANDBY STATE

LSI will enter into standby mode after several times elapsed, when the SBM bit in the control register 0 is set to '1' and following conditions are filled. The waiting time is decided by the state of internal FDC mode. Usually, 6ms to 8ms in MINI floppy mode and 3ms to 4ms in STANDARD floppy mode. Additional condition is as follows.

- o -FRST bit of control register = 1.
- o Head is unloaded.
- o FDC is in the state that waiting command from the host.

The standby state will show with the output terminal [STNBY], and X'tal oscillation stops. Standby state allows the drive output signals, WE, HS, FR, STP, LC and DR to be inactive.

LSI will take off from the standby state when one of following condition is detected.

- o SBM bit is set to 0.
- o -FRST bit is set to 0.
- o FDC receives a command.

TC8566AF-14

080288

748

FLOPPY DISK CONTROLLER

5.1.3. CONTROL REGISTER 0

This register is 8 bits write only register. High level on the [RESET] terminal will course all bits to 0.

| BITS | SYMBOL | NAME | MEANINGS |
|------|--------|--------------------------|---|
| D7 | MEN3 | Motor enable #3 | Radial motor on signal for #3 Drive |
| D6 | MEN2 | Motor enable #2 | Radial motor on signal for #2 Drive |
| D5 | MEN1 | Motor enable #1 | Radial motor on signal for #1 Drive |
| D4 | MEN0 | Motor enable #0 | Radial motor on signal for #0 Drive |
| D3 | ENID | Enable INT & DMA Request | INTRQ and DRQ2 are enabled when this bit is High level. |
| D2 | -FRST | Not FDC RST | 0 on this bit will reset the internal FDC block. For normal operation, this bit should be set to 1. |
| D1 | DSB | Drive select B | 2 bit binary coded Drive select. This code is effective when the [CDS] input is high level. |
| D0 | DSA | Drive select A | |

5.1.4 CONTROL REGISTER 1

This register is 4 bits write only register. High level on the [RESET] terminal will course all bits to 0.

| BITS | SYMBOL | NAME | MEANINGS |
|------|--------|--------------------|---|
| D7 | NB6 | ENABLE C6 | When 1 is applied to this bit during byte write operation of this register, the value of C6 becomes to D6. When 0 is applied to this bit during byte write operation of this register, the value of C6 is to be copy of C6. |
| D6 | C6 | CONTROL 6 | General purpose output port [C6]. |
| D5 | ENB4 | ENABLE C4 | Write enable of C4 i.e. C6 |
| D4 | C4 | CONTROL 4 | General purpose output port [C4] |
| D3 | ENB2 | ENABLE C2 | Write enable of C2 i.e. C6 |
| D2 | SBM | STANDBY MODE | when 1 is applied to this bit, FDC enabled to transfer into stand by mode. |
| D1 | ENB0 | ENABLE C0 | Write enable of C0 i.e. C6 |
| D0 | FDCTC | FDC Terminal Count | FDC terminal count control bit. This bit will be used to terminate data transfer with Non-DMA mode. |

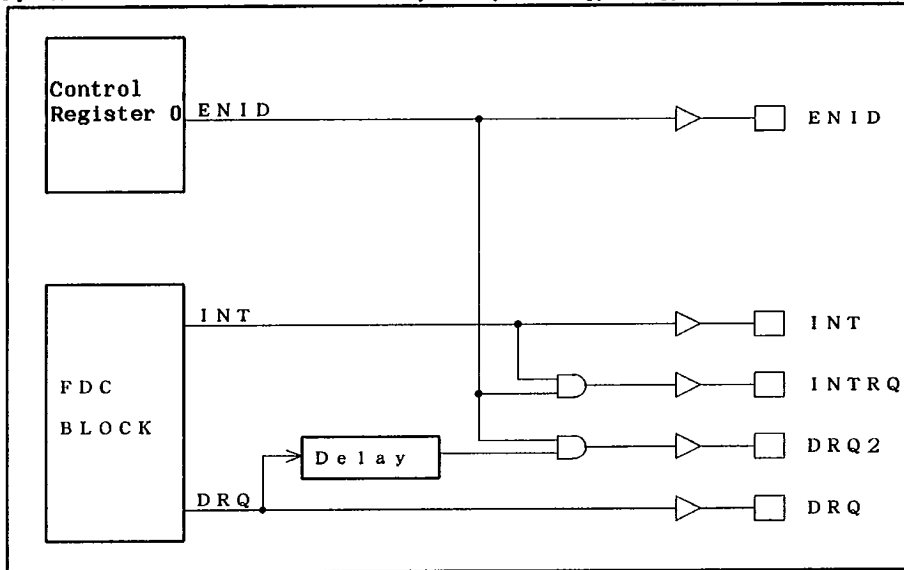
TC8566AF-15

080288

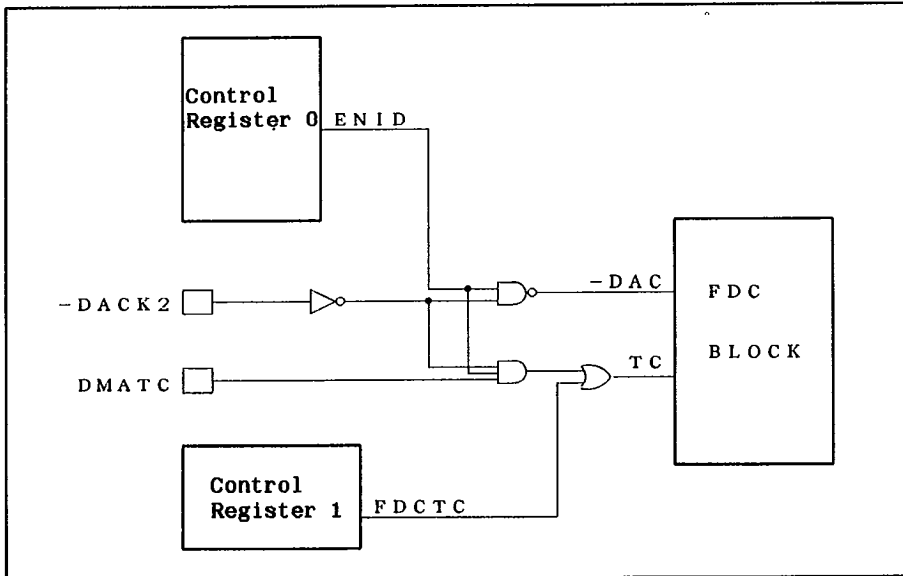
749

FLOPPY DISK CONTROLLER

5.1.5. THE RELATION BETWEEN ENID, INT, INTRQ, DRQ, DRQ2



5.1.6. THE RELATION BETWEEN ENID, -DACK2, DMATC, FDCTC



TC8566AF-16

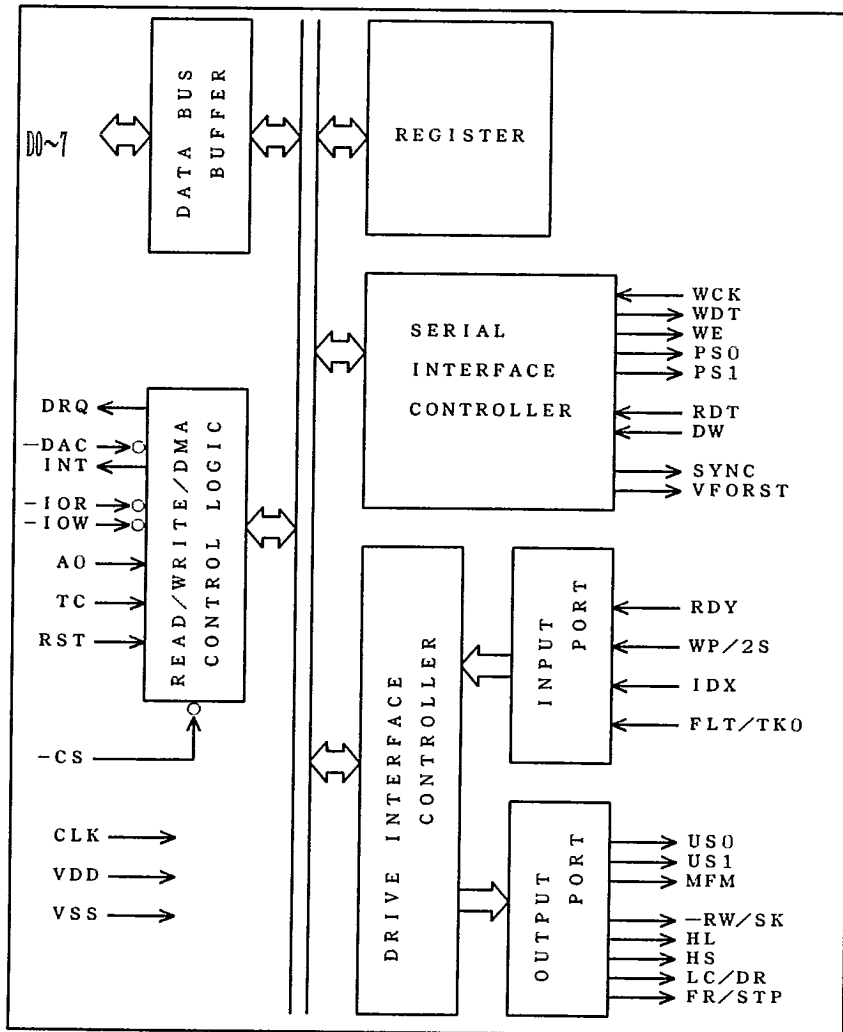
080288

750

FLOPPY DISK CONTROLLER

5.2. FDC BLOCK

5.2.1. FDC BLOCK DIAGRAM



TC8566AF-17

080288

751

6

FLOPPY DISK CONTROLLER

5.2.2. FDC'S REGISTER AND CPU INTERFACE

FDC has two 8-bit registers accessible by the main system processor. One is a Main Status Register, and the other is a Data Register. The Main Status Register indicates the status information of the FDC and is always accessible.

The Data Register is used for data transfer between the FDC and the main processor. Command bytes are written into the Data Register in order to program the FDC, and also Status bytes are read out of the Data Register in order to obtain the result after execution of the commands.

Main Status Register may be read and is used to facilitate the data transfer between the processor and the FDC. The relationship between Main Status Register and [-IOR], [-IOW] and [A0] signals is shown below.

| [-CS] | [A0] | [-IOR] | [-IOW] | FUNCTION |
|-------|------|--------|--------|---------------------------|
| H | X | X | X | Non Select |
| L | L | L | L | Illegal |
| L | L | L | H | Read Main Status Register |
| L | L | H | L | Illegal |
| L | H | L | L | Illegal |
| L | H | L | H | Read from Data Register |
| L | H | H | L | Write into Data Register |

Each bit in the Main Status Register are defined as Table 5.2.2. The RQM and DIO bits in the Main Status Register indicate whether Data Register is ready or not and in which direction data will be transferred on Data Bus.

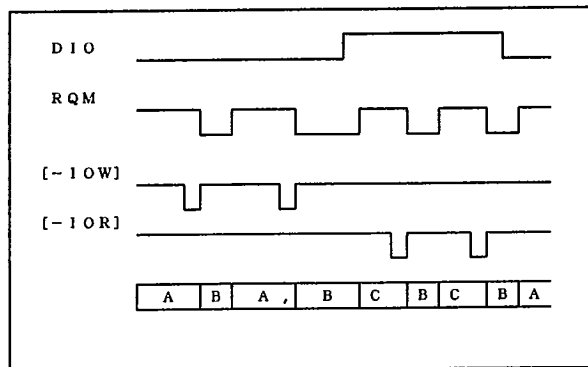


Fig.5.2.2. Main Status Register Timing

- A: (DIO="Low" and RQM="High") The processor may write the data in Data Register.
- B: (RQM="Low") Data Register is not ready.
- C: (DIO="High" and RQM="High") In data register, data byte which will be read out by processor is already prepared.

TC8566AF-18

080288

752

FLOPPY DISK CONTROLLER

Table 5.2.2. Main Status Register

| BIT | SYMBOL | NAME | MEANING |
|-----|--------|--------------------------|---|
| D7 | RQM | REQUEST for MASTER | Indicates that Data Register is ready to send the data to or to receive the data from the processor. |
| D6 | DIO | DATA INPUT/ OUTPUT | Indicates the direction of data transfer between Data Register and the processor. When DIO is a "High", transfer is from Data Register to the processor. When DIO is a "Low", transfer from the processor to Data Register. |
| D5 | NDM | Non-DMA mode | Indicates that the FDC is Non-DMA mode. It is set only during Execution-Phase in Non-DMA mode. |
| D4 | CB | FDC BUSY | Indicates that FDC is in Execution-Phase of a read/write command, in Command-Phase, or in Result-Phase. |
| D3 | D3B | FDD 3 BUSY | FDD number 3 is in the Seek mode. |
| D2 | D2B | FDD 2 BUSY | FDD number 2 is in the Seek mode. |
| D1 | D1B | FDD 1 BUSY | FDD number 1 is in the Seek mode. |
| D0 | D0B | FDD 0 BUSY | FDD number 0 is in the Seek mode. |

FDC supports fifteen different commands. Each of commands is initiated by a multi-byte transfer from the processor, and the result after executing of the command is a multi-byte transfer to the processor. Because the multi-byte information is interchanged between the FDC and the Processor, it is regarded that each command consists of following three phases.

Commands-Phase : The FDC receives the necessary information to perform a particular operation from the processor.
 Execution-Phase : The FDC performs the specified operation.
 Result-Phase : After the operation Result Status information or other information is sent to the processor.

In the Command-Phase or the Result-Phase, the processor must read out the Main Status Register before each byte of information is written into or read out from the Data Register.

When each byte of the command and the parameter is written into the FDC, bit D7 and D6 in the Main Status Register must be in high level and low level, respectively.

Because most of the Commands need multiple bytes, the Main Status Register must be read out before each byte is transferred to the FDC. In the Result-phase, the bit D7 and D6 in Main Status Register must be both in high levels before each byte is read out from the Data Register. The reading out of the Main Status Register before each byte transfer to the FDC is necessary only in the Command-Phase and the Result-Phase, but it is not always necessary in the Execution-Phase.

TC8566AF-19

080288

753

FLOPPY DISK CONTROLLER

When the FDC is in Non-DMA mode, the receipt of each data byte (if the FDD is now reading out data from the FDD) is indicated by the Interrupt signal.

The generation of the Read signal ($[-IOR]=0$) will not only output the data on the data bus but also reset the INT signal. If the processor can not deal with interrupts fast enough (within 13 μ s for MFM mode.), then it examines the Main Status Register, and then bit 7 (RQM) functions just like the Interrupt signal. Similarly in the Write command, Write signal resets the Interrupt signal.

If the FDC is in the DMA mode, then the Interrupt signal is not generated during the Execution-Phase. When the each data byte is available, the FDC generates DRQ(DMA request) signal. Then the DMA controller generates both DMA Acknowledge signal and Read signal ($[-DAC]=0$ and $[-IOR]=0$).

In a Read command, when the DMA acknowledge signal becomes low level, the FDC automatically resets the DRQ. In a Write command, $[-IOW]$ is substituted for $[-IOR]$. If the Execution-Phase is terminated (Terminal Count has been inputted), the Interrupt request is generated. This means the beginning of the Result-Phase. When the first data byte is read during the Result-Phase, Interrupt signal is automatically reset. During the Result-Phase, all data bytes shown in the COMMAND TABLE must be read.

For example, the READ DATA COMMAND has seven data bytes in the Result-Phase. All seven data bytes must be read out in order to complete the READ DATA COMMAND. This FDC will not accept the next command until all these seven data bytes are read out. In the same way, all the data bytes of the other commands must be read out during the Result-Phase. The FDC has five Status Registers. The Main Status Register mentioned above can always be read out by the processor. The Other four Result Status Register (ST0,ST1,ST2,ST3) is available only in the Result-Phase, and read out only after the termination of the command .

The specified command determines how many the Result Status Registers will be read. The COMMAND TABLE shows the data bytes that are sent to the FDC in the Command-Phase and read out from the FDC in the Result-Phase. That is, the command code must be sent first, and the other bytes must be sent in order. So the Command-Phase and the Result-Phase can not be shorten. When the last data byte in the Command-Phase is sent to the FDC, the Execution-Phase automatically starts. Similarly, when the last byte in the Result-Phase is read out, the command is automatically terminated, and then the FDC is ready for a new command.

TC8566AF-20

080288

754

FLOPPY DISK CONTROLLER ||**5.2.3. POLLING FEATURE OF THE FDC**

After the SPECIFY COMMAND has been sent to the FDC, the drive select signals, the US1 and US0, are automatically in the polling mode. Between the commands (and between the step pulses in the Seek mode), the FDC checks the four FDDs looking for a change of the ready signals from drive units.

If the Ready signal is changed, then the FDC generates the Interrupt signal. After the processor has issued the SENSE INTERRUPT STATUS COMMAND, the Result Status Register 0 (ST0) is read out, and the Not Ready bit (NR) in ST0 shows the present status. Because of the polling of Ready signal between the Commands, the processor can notice which drives are on line or which drives are off line.

TC8566AF-21

080288

755

FLOPPY DISK CONTROLLER

5.2.4. TRACK FORMAT (IBM FORMAT)

INDEX

| | | | | | | | | | |
|-----|-------------|-------------|------------|---------------------------|-------------|-------------|---------------|-------------|-------|
| | Gap4a | SYNC | IAM | GAP1 | | | | | Gap4b |
| FM | 'FF' x40 | '00' x6 | 'FC' x1 | 'FF' x26 | SECTOR 1 | SECTOR 2 | SECTOR ... | SECTOR n | 'FF' |
| MFM | '4E' x80 | '00' x12 | 'C2' x3 | 'FC' x1 '4E' x50 | SECTOR 1 | SECTOR 2 | SECTOR ... | SECTOR n | '4E' |

REPEAT
UNTIL
NUMBER OF SECTOR

| | | | | | | | | | | | | | | |
|-----|-------------|------------|------------|---|---|---|-----|-------------|-------------|------------------------|------------------------|-----|------------|------|
| | SYNC | IDAM | C | H | R | N | CRC | Gap2 | SYNC | DAM (DDAM) | DATA #1 | CRC | GAP3 #1 | |
| FM | '00' x6 | 'FE' x1 | | | | | | 'FF' x21 | '00' x6 | 'FB' ('F8') x1 | | x2 | 'FF' | |
| MFM | '00' x12 | 'A1' x3 | 'FE' x1 | | | | | '4E' x22 | '00' x12 | 'A1' x3 | 'FB' ('F8') x1 | | x2 | '4E' |

(*1) PROGRAMABLE

MISSING CLOCK PART OF ADDRESS MARK

| AM | FM | | MFM | |
|------|------|-------|------|-------|
| | Data | Clock | Data | Clock |
| IAM | FC | D7 | C2 | 14 |
| IDAM | FE | C7 | A1 | 0A |
| DAM | FB | C7 | A1 | 0A |
| DDAM | F8 | C7 | A1 | 0A |

TC8566AF-22

080288

756

FLOPPY DISK CONTROLLER

5.2.5. MFM RULES

The data bit is written where the each bit will correspond to the center of the bit cell with "1". The clock bit is written at the head of the bit cell with "0" whose previous bit cell has "0".

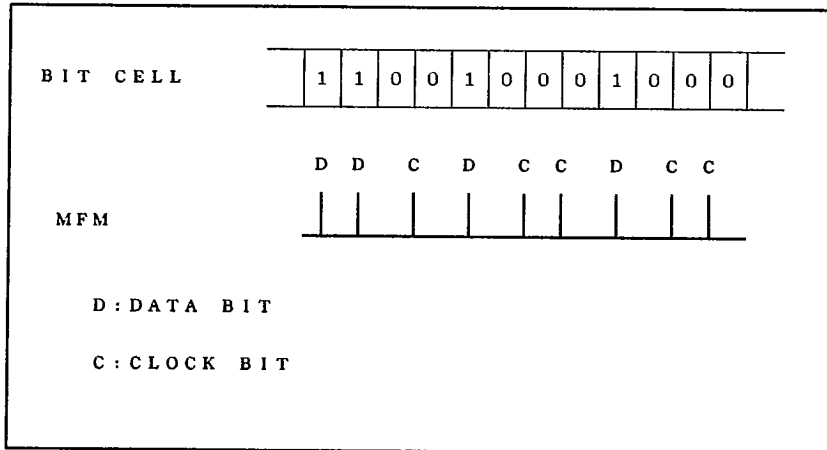


Fig.5.2.5. MFM Rules

FLOPPY DISK CONTROLLER

5.2.6. COMMAND

(x:Don't care)

READ DATA COMMAND

| Phase | R/W | D7 | D6 | D5 | D4 | D3 | D2 | D1 | D0 | Remarks | |
|-------|-----|----|-----|----|-----|----|----|-----|-----|--|---------------------|
| C | W | MT | MFM | SK | 0 | 0 | 1 | 1 | 0 | Command code | |
| | | x | x | x | x | x | HS | DS1 | DS0 | | |
| | | | | | C | | | | | | * ID information of |
| | | | | | H | | | | | | * starting sector |
| | | | | | R | | | | | | * of command |
| | | | | | N | | | | | | * execution |
| | | | | | EOT | | | | | | |
| | | | GPL | | | | | | | | |
| | | | DTL | | | | | | | | |
| E | | | | | | | | | | Data transfer | |
| R | R | | | | ST0 | | | | | * ID information * of end sector * of command * execution | |
| | | | | | ST1 | | | | | | |
| | | | | | ST2 | | | | | | |
| | | | | | C | | | | | | |
| | | | | | H | | | | | | |
| | | | | | R | | | | | | |
| | | | N | | | | | | | | |

WRITE DATA COMMAND

| Phase | R/W | D7 | D6 | D5 | D4 | D3 | D2 | D1 | D0 | Remarks | |
|-------|-----|----|-----|----|-----|----|----|-----|-----|--|---------------------|
| C | W | MT | MFM | 0 | 0 | 0 | 1 | 0 | 1 | Command code | |
| | | x | x | x | x | x | HS | DS1 | DS0 | | |
| | | | | | C | | | | | | * ID information of |
| | | | | | H | | | | | | * starting sector |
| | | | | | R | | | | | | * of command |
| | | | | | N | | | | | | * execution |
| | | | | | EOT | | | | | | |
| | | | GPL | | | | | | | | |
| | | | DTL | | | | | | | | |
| E | | | | | | | | | | Data transfer | |
| R | R | | | | ST0 | | | | | * ID information * of end sector * of command * execution | |
| | | | | | ST1 | | | | | | |
| | | | | | ST2 | | | | | | |
| | | | | | C | | | | | | |
| | | | | | H | | | | | | |
| | | | | | R | | | | | | |
| | | | N | | | | | | | | |

TC8566AF-24

080288

758

FLOPPY DISK CONTROLLER

WRITE DELETED DATA COMMAND

| Phase | R/W | D7 | D6 | D5 | D4 | D3 | D2 | D1 | D0 | Remarks | |
|-------|-----|----|-----|----|-----|----|----|-----|-----|--|---------------------|
| C | W | MT | MFM | 0 | 0 | 1 | 0 | 0 | 1 | Command code | |
| | | x | x | x | x | x | HS | DS1 | DS0 | | |
| | | | | | C | | | | | | * ID information of |
| | | | | | H | | | | | | * starting sector |
| | | | | | R | | | | | | * of command |
| | | | | | N | | | | | | * execution |
| | | | | | EOT | | | | | | |
| | | | GPL | | | | | | | | |
| | | | DTL | | | | | | | | |
| E | | | | | | | | | | Data transfer | |
| R | R | | | | ST0 | | | | | * ID information * of end sector * of command * execution | |
| | | | | | ST1 | | | | | | |
| | | | | | ST2 | | | | | | |
| | | | | | C | | | | | | |
| | | | | | H | | | | | | |
| | | | | | R | | | | | | |
| | | | N | | | | | | | | |

READ DELETED DATA COMMAND

| Phase | R/W | D7 | D6 | D5 | D4 | D3 | D2 | D1 | D0 | Remarks | |
|-------|-----|----|-----|----|-----|----|----|-----|-----|--|---------------------|
| C | W | MT | MFM | SK | 0 | 1 | 1 | 0 | 0 | Command code | |
| | | x | x | x | x | x | HS | DS1 | DS0 | | |
| | | | | | C | | | | | | * ID information of |
| | | | | | H | | | | | | * starting sector |
| | | | | | R | | | | | | * of command |
| | | | | | N | | | | | | * execution |
| | | | | | EOT | | | | | | |
| | | | GPL | | | | | | | | |
| | | | DTL | | | | | | | | |
| E | | | | | | | | | | Data transfer | |
| R | R | | | | ST0 | | | | | * ID information * of end sector * of command * execution | |
| | | | | | ST1 | | | | | | |
| | | | | | ST2 | | | | | | |
| | | | | | C | | | | | | |
| | | | | | H | | | | | | |
| | | | | | R | | | | | | |
| | | | N | | | | | | | | |

TC8566AF-25

080288

759

FLOPPY DISK CONTROLLER

READ DIAGNOSTIC COMMAND

| Phase | R/W | D7 | D6 | D5 | D4 | D3 | D2 | D1 | D0 | Remarks | |
|-------|-----|----|-----|----|-----|----|----|-----|-------------|---------------|---------------------|
| C | W | 0 | MEM | 0 | 0 | 0 | 0 | 1 | 0 | Command code | |
| | | x | x | x | x | x | HS | DS1 | DS0 | | |
| | | | | | C | | | | | | * ID information of |
| | | | | | H | | | | | | * starting sector |
| | | | | | R | | | | | | * of command |
| | | | | | N | | | | | | * execution |
| | | | | | EOT | | | | | | |
| | | | GPL | | | | | | | | |
| | | | DTL | | | | | | | | |
| E | | | | | | | | | | Data transfer | |
| R | R | | | | ST0 | | | | | | |
| | | | | | ST1 | | | | | | |
| | | | | | ST2 | | | | | | |
| | | | | | C | | | | | | * ID information |
| | | | | | H | | | | | | * of end sector |
| | | | | | R | | | | | | * of command |
| | | | N | | | | | | * execution | | |

READ ID COMMAND

| Phase | R/W | D7 | D6 | D5 | D4 | D3 | D2 | D1 | D0 | Remarks | |
|-------|-----|----|-----|----|-----|----|----|-----|-------------------|---------------|---------------------|
| C | W | 0 | MEM | 0 | 0 | 1 | 0 | 1 | 0 | Command code | |
| | | x | x | x | x | x | HS | DS1 | DS0 | | |
| E | | | | | | | | | | Data transfer | |
| R | R | | | | ST0 | | | | | | |
| | | | | | ST1 | | | | | | |
| | | | | | ST2 | | | | | | |
| | | | | | C | | | | | | * The first correct |
| | | | | | H | | | | | | * ID information |
| | | | | | R | | | | | | * read out during |
| | | | N | | | | | | * Execution-Phase | | |

TC8566AF-26

080288

760

FLOPPY DISK CONTROLLER II

FORMAT COMMAND

| Phase | R/W | D7 | D6 | D5 | D4 | D3 | D2 | D1 | D0 | Remarks | |
|-------|-----|----|-----|----|----|----|----|-----|-----|--|-----|
| C | W | 0 | MFM | 0 | 0 | 1 | 1 | 0 | 1 | Command code | |
| | | x | x | x | x | x | HS | DS1 | DS0 | | |
| | | | | | | | | | | | N |
| | | | | | | | | | | | SC |
| | | | | | | | | | | | GPL |
| | | | | | | | | | D | | |
| E | | | | | | | | | | Data transfer | |
| R | R | | | | | | | | | * No meaning in * this case * * | |
| | | | | | | | | | | | ST0 |
| | | | | | | | | | | | ST1 |
| | | | | | | | | | | | ST2 |
| | | | | | | | | | | | C |
| | | | | | | | | | H | | |
| | | | | | | | | | | R | |
| | | | | | | | | | | N | |

SCAN EQUAL COMMAND

| Phase | R/W | D7 | D6 | D5 | D4 | D3 | D2 | D1 | D0 | Remarks | |
|-------|-----|----|-----|----|----|----|----|-----|-----|---|-----|
| C | W | MT | MFM | SK | 1 | 0 | 0 | 0 | 1 | Command code | |
| | | x | x | x | x | x | HS | DS1 | DS0 | | |
| | | | | | | | | | | | C |
| | | | | | | | | | | | H |
| | | | | | | | | | | | R |
| | | | | | | | | | | | N |
| | | | | | | | | | | | EOT |
| | | | | | | | | GPL | | | |
| | | | | | | | | | STP | | |
| E | | | | | | | | | | Data transfer | |
| R | R | | | | | | | | | * ID information * of last compared * sector * | |
| | | | | | | | | | | | ST0 |
| | | | | | | | | | | | ST1 |
| | | | | | | | | | | | ST2 |
| | | | | | | | | | | | C |
| | | | | | | | | | H | | |
| | | | | | | | | | | R | |
| | | | | | | | | | | N | |

TC8566AF-27

080288

761

6

FLOPPY DISK CONTROLLER

SCAN LOW or EQUAL COMMAND

| Phase | R/W | D7 | D6 | D5 | D4 | D3 | D2 | D1 | D0 | Remarks | |
|-------|-----|----|-----|----|-----|----|----|-----|-----|---|---------------------|
| C | W | MT | MFM | SK | 1 | 1 | 0 | 0 | 1 | Command code | |
| | | x | x | x | x | x | HS | DS1 | DS0 | | |
| | | | | | C | | | | | | * ID information of |
| | | | | | H | | | | | | * starting sector |
| | | | | | R | | | | | | * of command |
| | | | | | N | | | | | | * execution |
| | | | | | EOT | | | | | | |
| | | | GPL | | | | | | | | |
| | | | STP | | | | | | | | |
| E | | | | | | | | | | Data transfer | |
| R | R | | | | ST0 | | | | | * ID information * of last * compared sector * | |
| | | | | | ST1 | | | | | | |
| | | | | | ST2 | | | | | | |
| | | | | | C | | | | | | |
| | | | | | H | | | | | | |
| | | | | | R | | | | | | |
| | | | N | | | | | | | | |

SCAN HIGH or EQUAL COMMAND

| Phase | R/W | D7 | D6 | D5 | D4 | D3 | D2 | D1 | D0 | Remarks | |
|-------|-----|----|-----|----|-----|----|----|-----|-----|---|---------------------|
| C | W | MT | MFM | SK | 1 | 1 | 1 | 0 | 1 | Command code | |
| | | x | x | x | x | x | HS | DS1 | DS0 | | |
| | | | | | C | | | | | | * ID information of |
| | | | | | H | | | | | | * starting sector |
| | | | | | R | | | | | | * of command |
| | | | | | N | | | | | | * execution |
| | | | | | EOT | | | | | | |
| | | | GPL | | | | | | | | |
| | | | STP | | | | | | | | |
| E | | | | | | | | | | Data transfer | |
| R | R | | | | ST0 | | | | | * ID information * of last * compared sector * | |
| | | | | | ST1 | | | | | | |
| | | | | | ST2 | | | | | | |
| | | | | | C | | | | | | |
| | | | | | H | | | | | | |
| | | | | | R | | | | | | |
| | | | N | | | | | | | | |

TC8566AF-28

080288

762

FLOPPY DISK CONTROLLER

SEEK COMMAND

| Phase | R/W | D7 | D6 | D5 | D4 | D3 | D2 | D1 | D0 | Remarks |
|-------|-----|----|----|----|----|----|----|-----|-----|--------------|
| C | W | 0 | 0 | 0 | 0 | 1 | 1 | 1 | 1 | Command code |
| | | x | x | x | x | x | x | DS1 | DS0 | |
| NCN | | | | | | | | | | |
| E | | | | | | | | | | Seek |

RECALIBRATE COMMAND

| Phase | R/W | D7 | D6 | D5 | D4 | D3 | D2 | D1 | D0 | Remarks |
|-------|-----|----|----|----|----|----|----|-----|-----|--------------|
| C | W | 0 | 0 | 0 | 0 | 0 | 1 | 1 | 1 | Command code |
| | | x | x | x | x | x | x | DS1 | DS0 | |
| E | | | | | | | | | | Recalibrate |

SENSE INTERRUPT STATUS COMMAND

| Phase | R/W | D7 | D6 | D5 | D4 | D3 | D2 | D1 | D0 | Remarks |
|-------|-----|-----|----|----|----|----|----|----|----|--------------|
| C | W | 0 | 0 | 0 | 0 | 1 | 0 | 0 | 0 | Command code |
| R | R | ST0 | | | | | | | | |
| | | PCN | | | | | | | | |

SPECIFY COMMAND

| Phase | R/W | D7 | D6 | D5 | D4 | D3 | D2 | D1 | D0 | Remarks |
|-------|-----|-----|----|----|----|-----|----|----|----|--------------|
| C | W | 0 | 0 | 0 | 0 | 0 | 0 | 1 | 1 | Command code |
| | | SRT | | | | HUT | | | | |
| | | HLT | | | | | | | ND | |

TC8566AF-29

080288

763

FLOPPY DISK CONTROLLER

SENSE DEVICE STATUS COMMAND

| Phase | R/W | D7 | D6 | D5 | D4 | D3 | D2 | D1 | D0 | Remarks |
|-------|-----|-----|----|----|----|----|----|-----|-----|--------------|
| C | W | 0 | 0 | 0 | 0 | 0 | 1 | 0 | 0 | Command code |
| | | x | x | x | x | x | HS | DS1 | DS0 | |
| R | R | ST3 | | | | | | | | |

INVALID COMMAND

| Phase | R/W | D7 | D6 | D5 | D4 | D3 | D2 | D1 | D0 | Remarks |
|-------|-----|---------------|----|----|----|----|----|----|----|---------|
| C | W | Invalid codes | | | | | | | | |
| R | R | ST0 | | | | | | | | ST0=80H |

TC8566AF-30

080288

764

FLOPPY DISK CONTROLLER II

Table 5.2.6. Symbols in the COMMAND TABLE

| SYMBOL | NAME | DESCRIPTION |
|--------|-------------------------|--|
| C | Cylinder Number | Indicates the cylinder number. |
| D | Data | Indicates the data pattern which is going to be written into data field. |
| D7-D0 | Data Bus | 8 bit data bus , D7 is MSB and D0 is LSB. |
| DS1,0 | Drive Select | Indicates the drive number(0,1,2,3). |
| DTL | DATA Length | IF N=00, indicates the data length per sector which is going to be processed. |
| EOT | End of Track | Indicates the last Sector of a cylinder. |
| GPL | Gap Length | Indicates the length of Gap 3 (see 5.2.4. Track Format). |
| H | Head Address | Indicates the logical head address. |
| HS | Head Select | Indicates the physical head address. |
| HLT | Head Load Time | Indicates the head load time of FDD defined by Specify Command. |
| HUT | Head Unload Time | Indicates the head unload time after a read or write operation has completed which is defined by Specify Command . |
| MFM | MFM mode | If "Low" , FM mode is selected. If "High" , MFM mode is selected. |
| MT | Multi Track | If "High" , multi track operation is to be performed. |
| N | Number | N is the code which indicates the number of data bytes written in a sector. |
| NCN | New Cylinder Number | Indicates the new cylinder number to be reached as a result of the seek operation. |
| ND | Non-DMA | Indicates the Non-DMA mode. Defined by the Specify Command. |
| PCN | Present Cylinder Number | Indicates the cylinder number when the Sense Interrupt Status Command has completed. |
| R | Record | Indicates the sector number. |
| R/W | Read/Write | Indicates whether Read or Write. |
| SC | Sector | Indicates the number of sector per cylinder. |
| SK | Skip | Indicates the skip of the sector which has DDAM or DAM. |
| SRT | Step Rate Time | Indicates the step rate of FDD which is defined by Specify Command. |

TC8566AF-31

080288

765

FLOPPY DISK CONTROLLER

| SYMBOL | NAME | DESCRIPTION |
|--------|------|--|
| STP | Step | During the Scan operation , if STP is "1", then data in contiguous sector is compared byte by byte with data sent from the processor ,and if STP is "2" ,then alternate sectors are read and compared. |

TC8566AF-32

080288

766

FLOPPY DISK CONTROLLER II

5.2.7. COMMAND DESCRIPTION

During the Command-Phase, the CPU must examine the Main Status Register before the writing of the each data byte into the Data Register. The DIO and RQM in the Main Status Register must be in a low level and a high level, respectively, before each byte is written into the FDC.

READ DATA COMMAND

The FDC needs nine data bytes in order to execute the READ DATA COMMAND. After the READ DATA COMMAND has been issued, the FDC loads the head (if it is in unload state), and waits the specified head load time. After the head load time has passed, the FDC begins to search ID Address Marks and read ID fields. If ID information stored in the ID Register agrees with ID information in ID field read from the diskette, then the FDC outputs data from the data field byte-by-byte to the main system via the data bus.

After the read operation of the current sector has been completed, the Sector Number (R) is incremented by one, the FDC reads the data from the next sector, and outputs the data on the data bus.

This continuous read function is called a "Multi-Sector Read Operation". The READ DATA COMMAND may be terminated by receiving a Terminal Count (TC) signal. If the FDC receives a TC signal, the FDC stops outputting data to processor, but continues to read data from the current sector, and checks the CRC(Cyclic Redundancy Code) bytes, and then terminates the READ DATA COMMAND at the end of the sector.

The amount of data which can be handled with a single command to the FDC depends on MT(Multi-Track), MFM(MFM/FM), and N(Number of bytes/sector). The Transfer Capacity is shown in Table 5.2.7A. below.

Table 5.2.7A. Transfer Capacity

| MT | MFM | N | Maximum Transfer Capacity | | Final Sector |
|----|-----|----|---------------------------|------------------|---|
| | | | Bytes/Sector | Number of Sector | |
| 0 | 0 | 00 | 128 | 26 | SIDE 0 SECTOR 26 or SIDE 1 SECTOR 26 |
| | 1 | 01 | 256 | | |
| 1 | 0 | 00 | 128 | 52 | SIDE 1 SECTOR 26 |
| | 1 | 01 | 256 | | |
| 0 | 0 | 01 | 256 | 16 | SIDE 0 SECTOR 15 or SIDE 1 SECTOR 15 |
| | 1 | 02 | 512 | | |
| 1 | 0 | 01 | 256 | 30 | SIDE 0 SECTOR 15 |
| | 1 | 02 | 512 | | |
| 0 | 0 | 02 | 512 | 8 | SIDE 0 SECTOR 8 or SIDE 1 SECTOR 8 |
| | 1 | 03 | 1024 | | |
| 1 | 0 | 02 | 512 | 16 | SIDE 1 SECTOR 8 |
| | 1 | 03 | 1024 | | |

TC8566AF-33

080288

767

FLOPPY DISK CONTROLLER

This FDC can read out the data from both sides of the diskette by the Multi-Track function. Data transfer will be performed from the Sector 1 of Side 0 to the last Sector of Side 1 for a particular cylinder at a time. But this function is effective to only one cylinder of the diskette.

After the reading out of the last sector, the FDC must receive the Terminal Count. If the FDC does not receive the Terminal Count signal, then the FDC sets the EN(end of cylinder) flag of ST1 to a high level and terminates the READ DATA COMMAND (bits 7 and 6 of ST0 is also set to a low level and a high level respectively : abnormal termination).

When N=0, DTL defines the data length which the FDC must treat as a sector. If DTL is smaller than the actual data length in a sector, the data beyond DTL in the sector is not sent to the data bus, but the FDC reads the whole sector internally, and then checks CRC bytes. When N≠0 DTL has no meaning.

When the READ DATA COMMAND has been completed, the head is not unloaded until the Head Unload Time(specified in the Specify Command) has passed. When the processor issues the next command (a read/write command) before head is unloaded, the head load time of the command is saved.

If the FDC can not find out the right sector until the FDC detects the Index Hole twice, the FDC sets the ND(No Data) flag in ST1 to a high level, and the READ DATA COMMAND will be abnormal terminated (bit 7 and bit 6 in ST0 set to a low level and a high level respectively).

After the reading of the ID field and the data field of the each sector, the FDC checks the CRC bytes. If a read error (incorrect CRC bytes in the ID field) is detected, the FDC sets the DE(Data Error) flag of ST1 to a high level, and if data error in the data field is detected, the DD(Data Error in Data Field) flag in ST2 is set to a high level, and then the READ DATA COMMAND is abnormal terminated.

If the FDC read a Deleted Data Address Mark in the diskette, and SK bit (D5 bit in the Command code) is not set, then the FDC sets CM (Control Mark) flag to a high level after reading out all the data in the sector, and terminates the READ DATA COMMAND. When SK=1, the FDC skips the Sector that has DDAM, and reads out the next sector.

During the data transfer between the FDC and the processor, the FDC must receive the service from the processor within 27us in FM mode, and 13 us in MFM mode. If the FDC does not receive this service, the FDC sets OR (Over Run) flag to a high level, and terminates the READ DATA COMMAND (abnormal termination).

If a read (or write) operation is terminated by inputting the Terminal Count signal, the information of Result-Phase is defined by MT bit and EOT byte. Table 5.2.7B. shows the value for C,H,R and N when the command is normally terminated.

TC8566AF-34

080288

768

Table 5.2.7B ID Information at Normal Termination

| MT | EOT | Final Transferred Sector | ID Information in Result-Phase | | | |
|----|-------------------------|--------------------------|--------------------------------|------|------|----|
| | | | C | H | R | N |
| 0 | 1A | Sector 1 to 25 at Side 0 | NC | NC | R+1 | NC |
| | 0F | Sector 1 to 14 at Side 0 | | | | |
| | 08 | Sector 1 to 7 at Side 0 | | | | |
| | 1A | Sector 26 at Side 0 | C+1 | NC | R=01 | NC |
| | 0F | Sector 15 at Side 0 | | | | |
| | 08 | Sector 8 at Side 0 | | | | |
| | 1A | Sector 1 to 25 at Side 1 | NC | NC | R+1 | NC |
| | 0F | Sector 1 to 14 at Side 1 | | | | |
| 08 | Sector 1 to 7 at Side 1 | | | | | |
| 1A | Sector 26 at Side 1 | C+1 | NC | R=01 | NC | |
| 0F | Sector 15 at Side 1 | | | | | |
| 08 | Sector 8 at Side 1 | | | | | |
| 1 | 1A | Sector 1 to 25 at Side 0 | NC | NC | R+1 | NC |
| | 0F | Sector 1 to 14 at Side 0 | | | | |
| | 08 | Sector 1 to 7 at Side 0 | | | | |
| | 1A | Sector 26 at Side 0 | NC | LSB | R=01 | NC |
| | 0F | Sector 15 at Side 0 | | | | |
| | 08 | Sector 8 at Side 0 | | | | |
| | 1A | Sector 1 to 25 at Side 1 | NC | NC | R+1 | NC |
| | 0F | Sector 1 to 14 at Side 1 | | | | |
| 08 | Sector 1 to 7 at Side 1 | | | | | |
| 1A | Sector 26 at Side 1 | C+1 | LSB | R=01 | NC | |
| 0F | Sector 15 at Side 1 | | | | | |
| 08 | Sector 8 at Side 1 | | | | | |

Notes)

NC(No Change): The same value as the one at the beginning of command execution.

LSB(Least Significant Bit): The least significant bit of H is complemented.

TC8566AF-35

080288

769

FLOPPY DISK CONTROLLER

WRITE DATA COMMAND

The FDC needs nine data bytes in order to execute the WRITE DATA COMMAND. If the WRITE DATA COMMAND has been issued, the FDC loads the head (if the head is in the unload state). After the specified head load waiting time (defined in the SPECIFY COMMAND) has passed, the FDC begins to read the ID field. If the sector number stored in ID Register (IDR) matched with the sector number read from the diskette, then the FDC takes data from the processor byte-by-byte via the data bus, and outputs to the FDD.

After the writing the data into the current sector, the FDC increments the sector number stored in R by one, and then the FDC writes the next data field. The FDC continues this Multi-Sector write operation until the Terminal Count signal is issued. Even if the FDC has received the Terminal Count signal, the FDC continues writing for the sector, and the data field will be completed. If the FDC receives the Terminal Count signal while the FDC is writing data in data field, then the remained data field will be filled with 00.

The FDC reads out the each sector of ID field, and checks the CRC bytes. If the FDC finds out the Read Error in ID field (incorrect CRC bytes), the FDC sets DE (Data Error) of ST1 to a high level, and terminates the WRITE DATA COMMAND (Abnormal termination).

The rules of the WRITE COMMANDS are much similar to the rules of the READ DATA COMMAND. The following items are same; see the previous section (5.2.1).

- Transfer Capacity
- EN flag
- Head unload time
- ID information at the normal termination
- Meaning of DTL when N=0 and when N≠0

During the execution of the WRITE DATA COMMAND, the data transfer between the processor and the FDC must be performed within 31us in FM mode, and 15us in MFM mode. If it is not performed, the FDC sets OR flag of ST1 to a high level, and terminates the command (Abnormal Termination).

WRITE DELETED DATA COMMAND

This command is the same command as the WRITE DATA COMMAND except that the FDC writes the DDAM (Deleted Data Address Mark) at the beginning of the Data Field instead of the normal DAM (Data Address Mark).

READ DELETED DATA COMMAND

This command is the same as the READ DATA COMMAND except that the FDC reads the sectors with DDAM instead of those with DAM at the beginning of a Data Field. If the FDC detects DAM and SK=0, then the FDC will read the whole sector and set CM flag in ST2 to a high level and terminate the command (Normal Termination). If the FDC finds out DAM and SK=1 then the FDC will skip the sector with DAM and read the next sector.

TC8566AF-36

080288

770

FLOPPY DISK CONTROLLER

READ DIAGNOSTIC COMMAND

This command is the same as the READ DATA COMMAND except that the FDC reads all the data continuously from each sector of a track. Just after the FDC receives the Index signal, the FDC begins to read out all the data field on the track as a continuous block. Even if the FDC finds out the CRC error in ID or data field, the FDC continues to read data from the track. The FDC compares the ID information read out from each sector with the value stored in IDR, and if there is no comparison, the FDC sets ND flag to a high level. This command has neither the Multi-Track function nor the skip function.

This command will be terminated when EOT number of sectors have been read out. When ID Address Mark on the diskette is not found out until the FDC finds out the Index Hall twice, MA (Missing Address Mark) in ST1 is set to a high level, and the command is terminated (Abnormal Termination).

READ ID COMMAND

This command is used to inform the processor of the current head point. The FDC stores the first ID information to be read out. If the right ID Address Mark is not found on the diskette until the FDC finds out the Index Hall twice, the FDC sets MA flag in ST1 to a high level, and if there is no ID field without CRC error, ND flag in ST1 is set to a high level, and the command is terminated (Abnormal Termination).

FORMAT COMMAND

The Format Command allows an entire track to be formatted. After the Index Hall is detected, the FDC writes data on the Diskette. Gaps, Address Marks, ID fields and Data fields in IBM System34 (double density) or IBM System3740 (single density) Format are recorded. The particular format is controlled by the values programmed in N, SC, GPL and D during the Command-Phase. The data byte stored in D is written into the data field. The data bytes of ID field in each sector is provided by the processor. That is, the FDC requests four data bytes per sector for C, H, R and N. This function allows the diskette to be formatted with non-sequential sector numbers.

After the each sector is formatted, the processor must send the new values of C, H, R and N to the FDC for the next sector on the track. After a sector is formatted, the contents of the R-register is incremented by one. Thus, when the R register is read out during the Result-Phase, it contains a value of R+1. This incrementing and formatting continues for the track until the FDC detects the Index Hall for the second time. When the FDC finds the Index Hall twice, the command is terminated.

When the FDC received the Fault signal from the FDD at the end of the write operation, the FDC sets the EC flag in ST0 to a high level, and sets bit 7 and bit 6 in ST0 to a low level and a high level respectively, and terminates the command. If the Ready signal changes to a low level at the beginning of the command execution, then the command is terminated.

TC8566AF-37

080288

771

FLOPPY DISK CONTROLLER

Table 5.2.7C. shows the relationship of N, SC and GPL for various Sector sizes.

Table 5.2.7C. Relationship of Sector Sizes

| FORMAT | SECTOR SIZE byte/sector | N (16) | SC (16) | GPL (16) | REMARKS |
|-------------|----------------------------|-----------|------------|-------------|-----------------|
| FM mode | 128 | 00 | 1A | 1B | IBM Diskette 1 |
| | 256 | 01 | 0F | 2A | IBM Diskette 2 |
| | 512 | 02 | 08 | 3A | |
| | 1024 | 03 | 04 | - | |
| | 2048 | 04 | 02 | - | |
| | 4096 | 05 | 01 | - | |
| MFM mode | 256 | 01 | 1A | 36 | IBM Diskette 2D |
| | 512 | 02 | 0F | 54 | |
| | 1024 | 03 | 08 | 74 | IBM Diskette 2D |
| | 2048 | 04 | 04 | - | |
| | 4096 | 05 | 02 | - | |
| | 8192 | 06 | 01 | - | |

SCAN COMMAND

The SCAN COMMANDs allow the data read from the diskette to be compared with the data sent from the Main System (the processor in Non-DMA mode, and the DMA controller in DAM mode). The FDC compares the data byte-by-byte, and searches the sector which meets the condition (equal, low or equal, high or equal).

After a entire sector is compared, if the condition is not met, the sector number is incremented (R+STP>R), and the scan operation is continued. The scan operation is continued until the following conditions occur :

- o The conditions for scan are met (equal, high or equal, low or equal).
- o The last sector on the track (EOT) is reached.
- o The Terminal Count signal is received.

If the scan equal condition are met, the FDC sets SH (Scan Hit) flag in ST2 to a high level, and then the SCAN COMMAND is terminated (Normal termination).

If the condition for scan is not met between the starting sector (specified by R) and the last sector (EOT) on the same cylinder, the FDC sets the SN (Scan Not Satisfied) flag in ST2 to a high level, and then terminates the command. If the FDC receives the Terminal Count from the processor or the DMA controller during the scan operation, the FDC completes the comparison of the data byte in process, and then terminates the command. TABLE 6 shows the status of bit SN and SH under the scan conditions.

TC8566AF-38

080288

772

FLOPPY DISK CONTROLLER II

Table 5.2.7D. Scan Status Codes

| COMMAND | ST2 | | COMMENTS |
|---------|-----|----|-------------|
| | SN | SH | |
| SCAN | 0 | 1 | DISK = MAIN |
| EQUAL | 1 | 0 | DISK ≠ MAIN |
| SCAN | 0 | 1 | DISK = MAIN |
| LOW or | 0 | 0 | DISK < MAIN |
| EQUAL | 1 | 0 | DISK > MAIN |
| SCAN | 0 | 1 | DISK = MAIN |
| HIGH or | 0 | 0 | DISK > MAIN |
| EQUAL | 1 | 0 | DISK < MAIN |

If the FDC finds out the DDAM on the sector and SK=0, then the FDC regards the sector as the last sector on the cylinder, and sets the CM flag in ST2 to a high level, and terminates the command (Normal Termination). If SK=1, the FDC skips the sector with DDAM, and reads out the next sector. Then the FDC sets CM flag in ST2 to a high level in order to show that the DDAM is found out. When either STP or MT is programmed, the FDC must read out the last sector on the track.

For example, if STP=02, MT=0 and the sectors are numbered in sequence 1 to 26, and SCAN COMMAND is started from the 21 Sector, then the FDC reads out the sector 21,23,25 and skips the next sector 26, and finds out the Index Hall before reading the EOT value of 26. This result causes the abnormal termination of the command. If EOT is set at 25 or the scanning is started at the sector 20, then the command will be normal termination.

During the SCAN COMMAND, it is necessary to transfer the data which will be compared with the data read out from the diskette to the FDC by whether the processor or the DMA controller. If the data are not transferred within 27us in FM mode and 13us in MFM mode, the FDC sets the OR (Over Run) flag in ST1, and terminates the command (Abnormal Termination).

SEEK COMMAND

This command is used to move the Read/Write Head from cylinder to cylinder. The FDC compares the PCN which is current head position with the NCN. If there is a difference, the FDC performs the following operation.

PCN < NCN : Direction signal to the FDD is set to a high level, and the Step Pulses are issued (Step In).
 PCN > NCN : Direction signal to the FDD is set to a low level, and the Step Pulses are issued (Step Out).

TC8566AF-39

080288

773

FLOPPY DISK CONTROLLER

The rate of outputting the step pulses is controlled by the SRT (Step Rate Time) in the SPECIFY COMMAND. The FDC compares NCN with PCN at outputting the step pulses, and if NCN=PCN, then SE (Seek End) flag in ST0 is set to a low level, and the command is terminated. The FDC is in FDC Busy state during the Command-Phase of this command, but the FDC is in Non-Busy state during the Execution-Phase of this command. If the FDC is in Non-Busy state, the FDC accepts another SEEK COMMAND. This function allows the FDC to do the parallel seek operation for up to 4 FDDs at a time.

If the FDD is in the Not Ready state at the beginning of the Execution-Phase of this command or during the seek operation, the NR (Not Ready) flag in ST0 is set to a high level and the command is terminated.

RECALIBRATE COMMAND

The Read/Write Head within the FDD is moved to the Track 0 position under control of the RECALIBRATE COMMAND. The FDC clears the contents of PCN register, and checks the Track 0 signal. If the Track 0 signal is in a low level, the FDC sets the Direction signal to a low level, and issues the Step Pulses.

When the Track 0 signal changes to a high level, the FDC sets SE (Seek End) flag to a high level, and terminates the command. If the Track 0 signal is still low after the FDC has issued the 255 Step Pulses, SE flag and EC flag in ST0 are set to both high levels, and the command is terminated. The RECALIBRATE COMMAND is the same as the SEEK COMMAND about the function to overlap the operation to multiple FDDs and about the loss of the Ready signal.

SENSE INTERRUPT STATUS COMMAND

The FDC generates the Interrupt signal by the following reasons.

- 1 The beginning of Result-Phase in the Following commands:
 - a READ DATA COMMAND
 - b READ DIAGNOSTIC COMMAND
 - c READ ID COMMAND
 - d READ DELETED DATA COMMAND
 - e WRITE DATA COMMAND
 - f FORMAT COMMAND
 - g WRITE DELETED DATA COMMAND
 - h SCAN COMMANDS
- 2 The change of Ready line of FDD.
- 3 At the end of the SEEK or RECALIBRATE COMMAND.
- 4 During the Execution-Phase in the Non-DMA mode.

Interrupts caused by reason 1 and 4 occur during the normal command operation, and the processor can notice the interrupts easily. But the interrupts caused by the reason 2 and 3 may be identified with the request of issuing the SENSE INTERRUPT STATUS COMMAND. When this command is issued, Interrupt signal is reset, and bit 5, bit 6 and bit 7 in ST0 indicate the reason of the interrupt.

TC8566AF-40

080288

774

FLOPPY DISK CONTROLLER

Neither the SEEK nor the RECALIBRATE COMMAND has a Result-Phase. Therefore, it is necessary to use the SENSE INTERRUPT COMMAND after these commands in order to terminate them effectively and confirm the head position (PCN).

Table 5.2.7E. SEEK , INTERRUPT CODES

| INTERRUPT CODE | | SEEK END | MEANING |
|----------------|-------|----------|--|
| BIT 7 | BIT 6 | BIT 5 | |
| 1 | 1 | 0 | Changing of the state of the READY LINE |
| 0 | 0 | 1 | Normal Termination of the SEEK and RECALIBRATE COMMAND |
| 0 | 1 | 1 | Abnormal Termination of the SEEK and RECALIBRATE COMMAND |

SPECIFY COMMAND

This SPECIFY COMMAND initiates the values of three internal timers. The HUT (Head Unload Time) defines the time from the end of the Execution-Phase of the read/write commands to the unloading of the head. This timer is programmable from 16 to 240 ms at intervals of 16 ms (01=16ms, 02=32ms, ... ,0F=240ms).

The SRT defines the time interval between step pulses. This timer is programmable from 1 to 16ms in increments of 1ms (F=1ms, E=2ms, ... ,0=16ms). The HLT defines the time from the rising of the Head Load signal to the starting of the read/write operation. This timer is programmable from 2 to 254 ms in increments of 2ms (01=2ms, 02=4ms, 03=6ms, ... ,7F=254ms).

The interval times mentioned above are a direct function of the clock. The times indicated above are for a 8MHz clock. If the clock frequency is 4MHz (mini floppy), all the times are twice as long as the times indicated above.

The ND bit is a flag to select the DMA operation or Non-DMA operation. If ND is in a high level then Non-DMA mode is selected, and if ND is in a low level then DMA mode is selected.

TC8566AF-41

080288

775

FLOPPY DISK CONTROLLER**SENSE DEVICE STATUS COMMAND**

The processor may use this command whenever it wishes to know the status of the FDDs. The drive status information is contained in ST3.

INVALID COMMAND

If an invalid command (a command not defined above) is sent to the FDC, the FDC terminates the command. The FDC does not generate the Interrupt signal during the Result-Phase. Bit 6 and bit 7 in the Main Status Register set to both high levels indicates to the processor that the FDC is in the Result-Phase and that the contents of ST0 must be read out. ST0 is set to a 80H showing that an invalid command was received.

The SENSE INTERRUPT STATUS COMMAND must be sent after an interrupt of the SEEK COMMAND or RECALIBRATE COMMAND has occurred, otherwise the FDC regards this command as invalid. The users may use this command as a Non-Op command to place the FDC in a stand-by or non-operation state.

TC8566AF-42

080288

776

5.2.8. RESULT STATUS REGISTER

RESULT STATUS REGISTER 0 (ST0)

| BIT | SYMBOL | NAME | DESCRIPTION |
|----------|------------|------------------------|--|
| D7 | IC | Interrupt | D7=0 and D6=0 Normal Termination of Command (NT), Command was completed and properly executed. |
| D6 | | Code | D7=0 and D6=1 Abnormal Termination of Command(AT). Command execution was started, but was not successfully completed. |
| | | | D7=1 and D6=0 Command was Invalid Command(IC). The command which has been issued was not started. |
| | | | D7=1 and D6=1 This indicates that the Ready Line from the FDD was changed. |
| D5 | SE | Seek End | This flag is set to a "1", when the SEEK COMMAND was completed. |
| D4 | EC | Equipment Check | When the FDC received the Fault signal from the FDD, or when the Track 0 signal was not set to a "1" after 255 step pulses during the RECALIBRATE COMMAND, this flag is set to a "1". |
| D3 | NR | Not Ready | When the FDD is in the Not-Ready state and a read/write command is issued, this flag is set. For example, when a read/write command is issued for Side 1 of a single sided drive, this flag is set. |
| D2 | HD | Head Address | This flag indicates the state of the head at interrupt. |
| D1 D0 | DS1 DS0 | Drive Select 0,1 | These flags indicate the drive number at interrupt. |

TC8566AF-43

080288

777

FLOPPY DISK CONTROLLER

RESULT STATUS REGISTER 1 (ST1)

| BIT | SYMBOL | NAME | DESCRIPTION |
|-----|--------|----------------------|---|
| D7 | EN | End of Cylinder | This flag is set when the FDC tries to access a sector beyond the last sector of a cylinder. |
| D6 | - | | |
| D5 | DE | Data Error | This flag is set when the FDC finds the CRC Error either in the ID field or the data field. |
| D4 | OR | Over Run | This flag is set when the FDC does not receive the service from the main system during data transfers within a certain time interval. |
| D3 | - | | |
| D2 | ND | No Data | <ul style="list-style-type: none"> o This flag is set when the FDC can not find out the sector specified in the IDR during the execution of following commands: READ DATA READ DELETED DATA WRITE DATA WRITE DELETED DATA SCAN o This flag is set when the FDC can not find the ID field without the CRC error during the execution of the READ ID COMMAND. o This flag is set when the starting sector cannot be found during the executing the READ DIAGNOSTIC COMMAND. |
| D1 | NW | Not Writable | <p>This flag is set if the FDC detects the write protect signal from the FDD during the executing following commands:</p> <ul style="list-style-type: none"> WRITE DATA WRITE DELETED DATA FORMAT |
| D0 | MA | Missing Address Mark | <ul style="list-style-type: none"> o This flag is set if IDAM cannot be found out until the FDC finds the Index Hall twice. o This flag is set if the FDC can not find the DAM or DDAM. The MD flag of ST2 is also set in this case. |

TC8566AF-44

080288

778

FLOPPY DISK CONTROLLER

RESULT STATUS REGISTER 2 (ST2)

| BIT | SYMBOL | NAME | DESCRIPTION |
|-----|--------|------------------------------------|---|
| D7 | - | | |
| D6 | CM | Control Mark | While executing the READ DATA or the SCAN COMMAND, this flag is set when the FDC finds out the sector with the DDAM. During executing the READ DELETED DATA COMMAND, this flag is set when the FDC finds out the Sector with the DAM. |
| D5 | DD | Data Error in Data Field | This flag is set when the FDC detects a CRC Error in data field. |
| D4 | NC | No Cylinder | This flag is set when the contents of C on the medium is different from that stored in the IDR. This flag is related with the ND flag. |
| D3 | SH | Scan Equal Satisfied | This flag is set if the condition of "equal" is satisfied during the execution of the SCAN COMMAND. |
| D2 | SN | Scan Not Satisfied | This flag is set if the FDC cannot find out the sector which satisfies the condition during the execution of the SCAN COMMAND. |
| D1 | BC | Bad Cylinder | This flag is set if the content of C on the medium is FF and differs from that stored in IDR. This bit is related with the ND bit. |
| D0 | MD | Missing Address Mark in Data Field | This flag is set if the FDC cannot find out the DAM or DDAM while the data are read from the medium. |

TC8566AF-45

080288

779

FLOPPY DISK CONTROLLER

RESULT STATUS REGISTER 3 (ST3)

| BIT | SYMBOL | NAME | DESCRIPTION |
|-----|--------|----------------|--|
| D7 | FLT | Fault | This bit indicates the state of the Fault signal from the FDD. |
| D6 | WP | Write Protect | This bit indicates the state of the the Write Protect signal from the FDD. |
| D5 | RDY | Ready | This bit indicates the state of the Ready signal from the FDD. |
| D4 | TK0 | Track 0 | This bit indicates the state of the Track 0 signal from the FDD. |
| D3 | 2S | Two Side | This bit indicates the state of the Two Side signal from the FDD. |
| D2 | HD | Head Address | This bit indicates the state of the Head Select signal to the FDD. |
| D1 | DS1 | Drive Select 1 | This bit indicates the state of the Drive Select 1 signal to the FDD. |
| D0 | DS0 | Drive Select 0 | This bit indicates the state of the Drive Select 0 signal to the FDD. |

TC8566AF-46

080288

780

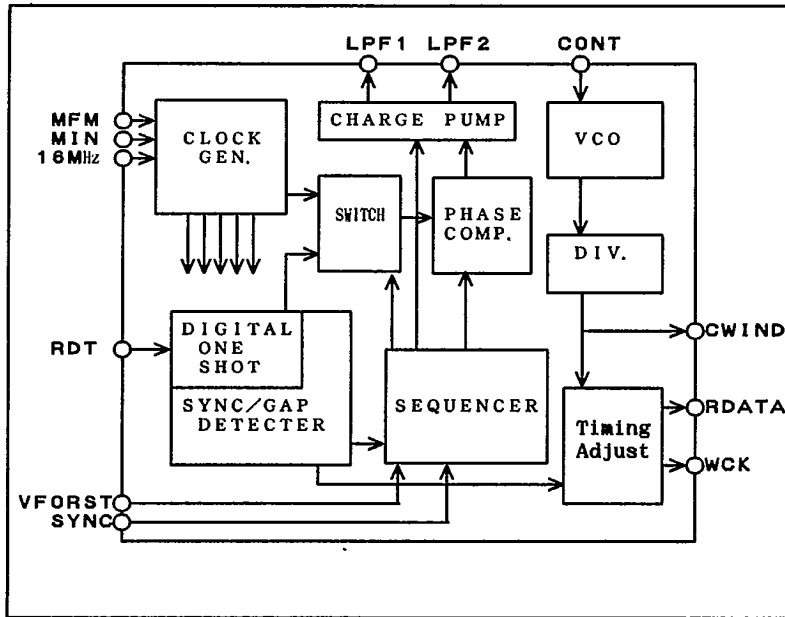
5.3. VFO UNIT**5.3.1. VFO UNIT BLOCK DIAGRAM**

Fig.5.3.1. VFO Block Diagram

FLOPPY DISK CONTROLLER

5.3.2. DESCRIPTION OF EACH BLOCKS.

(1) Time base generator/Divider circuit

This block consists of 16MHz crystal oscillator and divider. It generates all timing signals for VFO operation. The operation mode MFM and MIN signals change the divisor of these timings.

| | STD mode (500kbps) | MINI mode (250kbps) |
|----------|--------------------|---------------------|
| mode MFM | 500 KHz | 250 KHz |
| mode FM | 250 KHz | 125 KHz |

(2) SYNC GAP DETECTOR/DIGITAL ONE-SHOT

SYNC pattern detect circuit when the FDC begins the read operation. SYNC pattern '00' is continuance pulse series whose interval is TSYNC. This circuit judges to be SYNC the pulse series whose interval is between TSYNC -25% and TSYNC +25%, and the other pulse series to be GAP. When 16MHz clock is applied in [XIN] terminal, the value of TSYNC, TSYNC +25% and TSYNC -25% are as follows.

| | STD mode (500kbps) | MINI mode (250kbps) |
|------------|--------------------|---------------------|
| TSYNC | 2.0 us | 4.0 us |
| TSYNC +25% | 2.5 us | 5.0 us |
| TSYNC -25% | 1.5 us | 3.0 us |

Lower limit for MFM mode and upper limit for FM mode are non-sense for read/write operation but allow to distinguish 500Kbps from 300Kbps.

Digital one shot circuit works so as to centering the data pulse with window clock signal. This circuit use doubled [XIN] clock (16MHz), so it has 31.25 ns quantitized error.

| | STD mode (500kbps) | MINI mode (250kbps) |
|----------|--------------------|---------------------|
| mode MFM | 500 ns | 1000 ns |
| mode FM | 1000 ns | 2000 ns |

(3) VOLTAGE CONTROLLED oscillator (VCO)

This VCO is automatically adjust its center frequency using PLL circuit. When 16MHz is used for [XIN] clock, 2MHz is the frequency at VCONT voltage is 2.5V. The conversion gain via voltage on VCONT terminal is as follows.

$$K_v = 2.5 \times 10^6 \text{ [rad/sec V]}$$

(4) TIMING ADJUSTING CIRCUIT

This circuit regenerates data and clock bit in MFM signal so as to get best read margin against the peak shift phenomenon in the data from the FDD.

TC8566AF-48

080288

782

(5) SEQUENCER

VFO start its operation with the starting of read request from the FDC. The sequencer controls all operation that is, hunting SYNC pattern, detecting address mark, changing PLL filter constant etc..

FLOPPY DISK CONTROLLER

5.3.3. OPERATION FLOW OF VFO

The operation of the VFO part is explained as the combination of the control mode of each circuit. The mode of each part which concerns the VFO operation is as follows.

[Phase Comparator]

One input of the phase comparator is the window signal which is the divided signal of the VCO output. The other input is either the read data or standardized clock from [XIN] whose frequency is the same as window signal.

There are things to switch the charge pump outputs and to change the gain of phase comparator in order to distinguish lock state from unlock state of the VCO.

[External Input]

SYNC : Input to indicate that the FDC is in read data.
VFORST : Pulse generated by internal FDC when the FDC becomes SYNC state, and when the first data byte after sync detection is not address mark and the FDC begins to search next sync pattern.

VFO has three transition states as follows.

QF : VCO is tracing for basic clock from [XIN] 16MHz with high gain.
QH : VCO is tracing for read data with high gain.
QL : VCO is tracing for read data with low gain.

There is SYNC/GAP detector to control state transition except mentioned above. This circuit always checks read data pulses. If there is a pulse without regular interval time, GAP is outputted. This output is held for 8 bit time, SYNC'D is outputted when there is no GAP output during 2 byte time for FM mode or during 4 byte time for MFM mode. Fig. 5.3.3A. shows VFO states transition flow. Fig.5.3.3B. shows the timing of VFORST which the FDC outputs.

TC8566AF-50

080288

784

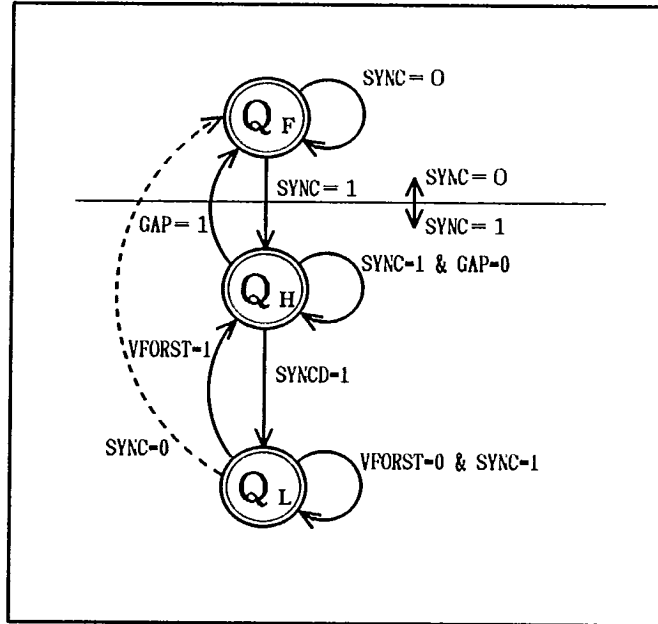


Fig.5.3.3A. VFO States Transition

6

TC8566AF-51
 080288
 785

FLOPPY DISK CONTROLLER

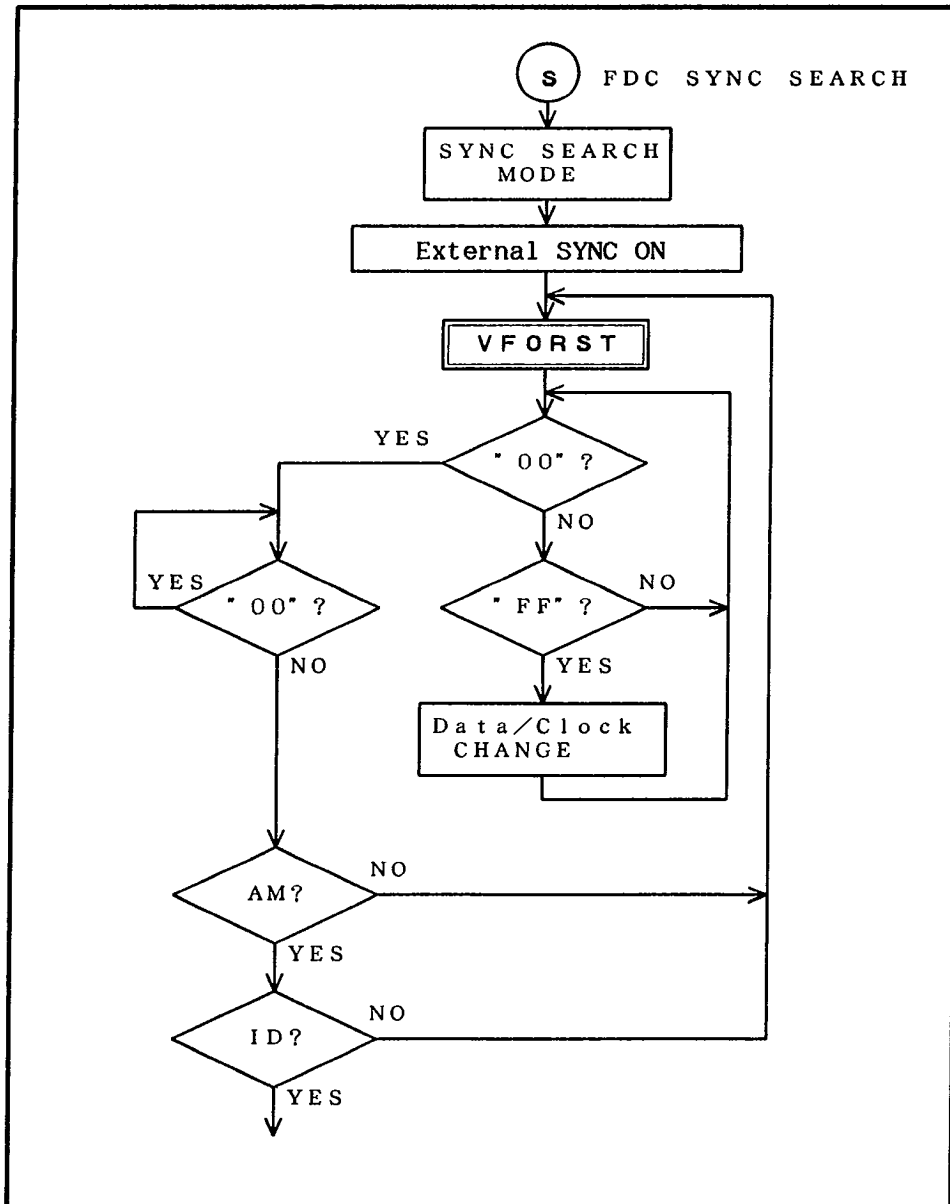


Fig.5.3.3B. VFORST Timing

TC8566AF-52

080288

786

5.3.4. FILTER CR CONSTANT OF VFO

When the VFO is used in 2 filter switching mode, the external components for the low pass filter are needed as follows.

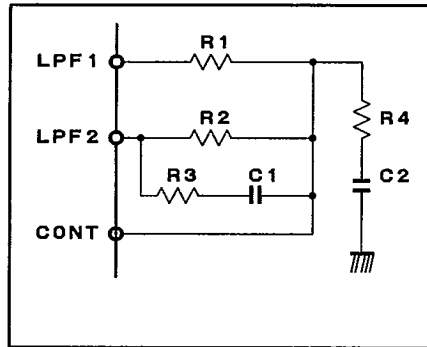


Fig.5.3.4. Filter Circuit

Recommended CR constant for MIN and STD mode is as follows. The accuracy of component is less than 5 % each.

| | |
|----|----------|
| R1 | 1 K OHM |
| R2 | 68 K OHM |
| R3 | 15 K OHM |
| R4 | 1 k OHM |
| C1 | 1000 pF |
| C2 | 0.01 uF |

Also, when the VFO is used in 1 filter non-switching mode, the external components for the low pass filter are needed as follows.

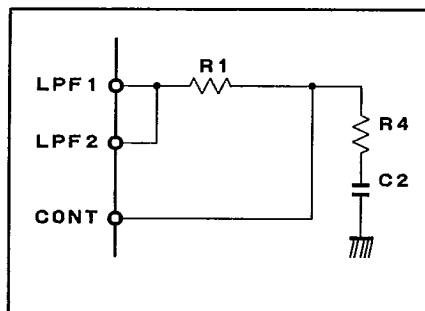


Fig.5.3.4B. Filter Circuit

TC8566AF-53

080288

787

FLOPPY DISK CONTROLLER

Recommended CR constant for MIN and STD mode is as follows.

| | |
|----|-----------|
| R1 | 7.5 K OHM |
| R4 | 2.7 K OHM |
| C2 | 0.01 uF |

TC8566AF-54

080288

788

FLOPPY DISK CONTROLLER

5.3.5. VFO TIME MARGIN

(1) OUTLINE OF TIME MARGIN

Raw data being read from floppy disk drive have dynamic/static data rate variations on account of the variation in the rotational speed of disk (for example, wow flutter). On high density recording, magnetic effects cause read data to move to early or late position, which is called peak shift. Raw read data are influenced by the variation in disk speed on both writing and reading, which is regarded as low speed variation. The VFO is designed to track this variation. On the other hand, it is necessary to reduce the variation by peak shift, because its frequency is near the data transfer frequency.

Example: Waveform in case of data 6DB in MFM mode for mini-floppy

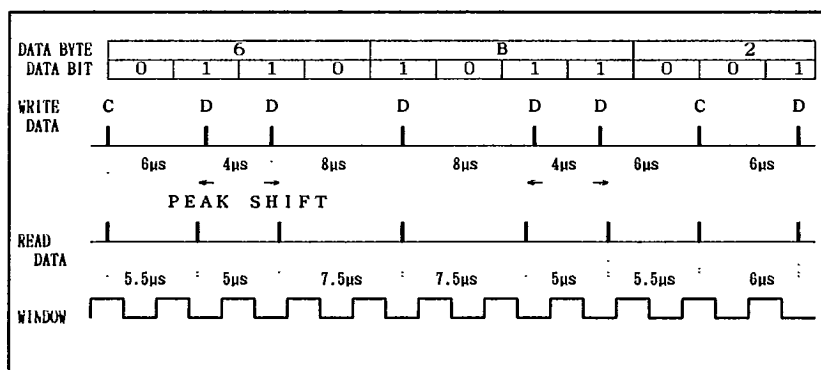


Fig.5.3.5A. Example of Peak Shift

In the example above, there are +0.5µs pulse jitters by peak shift. The VFO operates to track the variation in disk rotation but to ignore the variation of this peak shift, and then generates the WINDOW signal to sample data accurately. The time margin is the tolerance for the peak shift. This value in the case of an ideal VFO is a half of the cycle of the bit transfer rate. It is 2µs in MFM mode for mini-floppy (250Kbps).

TC8566AF-55

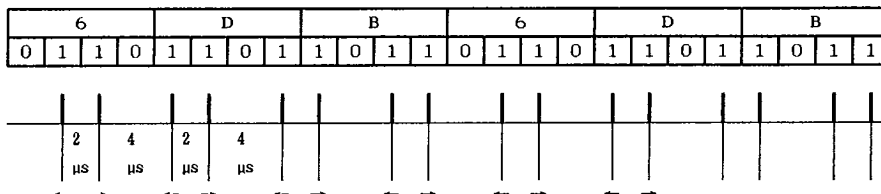
080288

789

FLOPPY DISK CONTROLLER

(2) MEASUREMENT OF TIME MARGIN

There are many measurement methods of the time margin. We select the MFM data pattern of the repetition of 6DB (hex). Because it contains many worst-case peak shifted data in MFM mode. The MFM data pattern of the repetition of 6DB is shown below.



The measurement of the time margin is performed as follows. The FDC reads the sector data generated by the pattern generator whose data field is the repetition of 6DB above. At this time the data is shifted like peak shifted data with the bit-shift circuit of MFM data used in pre-compensation. The time margin of the VFO will be measured by researching the relation between the amount of peak shift and the read error rate of the FDC.

[RESULTS]

| STD/MIN. | MFM/FM | TIME MARGIN |
|----------|--------|-------------|
| STD | MFM | 0.76 us |
| | FM | 1.60 us |
| MIN. | MFM | 1.68 us |
| | FM | 3.40 us |

TC8566AF-56

080288

790

FLOPPY DISK CONTROLLER

6. ELECTRICAL CHARACTERISTICS**6.1. ABSOLUTE MAXIMUM RATING**

| V _{ss} = 0V | | | |
|-----------------------|--------|---------------------------------|------|
| ITEM | SYMBOL | RATING | UNIT |
| Power Supply Voltage | VDD | -0.5 to +7.0 | V |
| Input Voltage | VIN | V _{ss} -0.5 to VDD+0.5 | V |
| Operation Temperature | topr | -40 to +85 | °C |
| Storage Temperature | tstg | -65 to 125 | °C |
| Output Current | IOUT1 | +2.0 (*1) | mA |
| Output Current | IOUT2 | +8.0 (*2) | mA |
| Output Current | IOUT3 | +3.0 (*3) | mA |
| Power Dissipation | pd | 300 | mW |

Comment : *1 XOUT

*2 WDT1, WE, HS, HL, MEN3 - MEN0, DS3 - DS0, STP, LC and DR.

*3 Others.

6.2. RECOMMENDED OPERATION CONDITION

| V _{ss} = 0V | | | | |
|-----------------------|--------|------|------|------|
| ITEM | SYMBOL | MIN. | MAX. | UNIT |
| Operation Temperature | topr | -40 | +85 | °C |
| Power Supply Voltage | VDD | 4.5 | 5.5 | V |
| Clock Frequency | fo | 15.5 | 16.5 | MHz |

TC8566AF-57

080288

791

6

FLOPPY DISK CONTROLLER

6.3. DC CHARACTERISTICS

VDD=5.0±10% , VSS=0V , Ta=-40 °C to +85 °C

| ITEM | SYMBOL | MIN. | TYP. | MAX. | UNIT |
|---|---------------------|------|------|------|------|
| Hysterisis | (*3) VHS3 | 0.2 | | | V |
| | (*4) VHS4 | 0.2 | | | V |
| Input Leakage Current at VIH=VDD | (*1) IIH1 | 3 | | 10 | uA |
| | (*3, *4, *5) IIH345 | -10 | | 10 | uA |
| Input Leakage Current at VIL=VSS | (*1) IIL1 | -10 | | -3 | uA |
| | (*2, **) IIL2 | -70 | | -15 | uA |
| | (*3, *4, *5) IIL345 | -10 | | 10 | uA |
| | | | | | |
| High Level Input Voltage | (*1) VIH1 | 3.5 | | VDD | V |
| | (*2) VIH2 | 2.2 | | VDD | V |
| | (*3, *4) VIH34 | 2.4 | | VDD | V |
| | (*5) VIH5 | 2.2 | | VDD | V |
| | | | | | |
| Low Level Input Voltage | (*1) VIL1 | 0 | | 1.5 | V |
| | (*2) VIL2 | 0 | | 0.8 | V |
| | (*3, *4) VIL34 | 0 | | 0.58 | V |
| | (*5) VIL5 | 0 | | 0.8 | V |
| | | | | | |
| High Level Input Current at VOH=VDD-0.4V | (*6) IOH1 | | | -0.5 | mA |
| | (*7) IOH2 | | | -4.0 | mA |
| | (*8) IOH3 | | | -2.0 | mA |
| Low Level Input Current at VOL=0.4V | (*6) IOL1 | 0.5 | | | mA |
| | (*7) IOL2 | 6.0 | | | mA |
| | (*8) IOL3 | 2.0 | | | mA |
| Power Supply Current | IDD1 | | 20 | 30 | mA |
| Stand-by Current | IDD2 | | | 50 | uA |

Comment : *1 XIN
 *2 -TEST, LOCK, -CL (Input with Pull-up)
 *3 -RDT (Schmitt Trigger Input)
 *4 -IDX, -RDY, -WP, -2S, -FLT, -TKO (Schmitt Trigger Input)
 *5 Other Inputs and Data Bus
 *6 XOUT
 *7 WDT1, WE, HS, HL, MEN3-0, DS3-0, STP, FR, LC, DR
 *8 Other Outputs and Data Bus
 ** At VDD = 5.0V

TC8566AF-58

080288

792

FLOPPY DISK CONTROLLER

6.4. AC CHARACTERISTICS

VDD=5.0±10%, VSS=0V, Ta=-40 °C to +85 °C

| ITEM | SYMBOL | MIN. | TYP. | MAX. | UNIT |
|-------------------------------------|---------|------|------|------|------|
| AEN Setup time before -IOR | tAENR | 0 | | | ns |
| AEN Hold time after -IOR | tRAEN | 0 | | | ns |
| -CS Setup time before -IOR | tSR | 0 | | | ns |
| -CS Hold time after -IOR | tRS | 0 | | | ns |
| Address Setup time before -IOR | tAR | 10 | | | ns |
| Address Hold time after -IOR | tRA | 0 | | | ns |
| Data Delay time from -IOR | tRD | | | 100 | ns |
| Data Hold time after -IOR | tDR | 20 | | 100 | ns |
| Pulse Width of -IOR | tRR | 200 | | | ns |
| AEN Hold time before -IOW | tAENW | 0 | | | ns |
| AEN Hold time after -IOW | tWAEN | 0 | | | ns |
| -CS Setup time before -IOW | tSW | 0 | | | ns |
| -CS Hold time after -IOW | tWS | 0 | | | ns |
| Address Setup time before -IOW | tAW | 10 | | | ns |
| Address Hold time after -IOW | tWA | 10 | | | ns |
| Data Setup time before -IOW | tDW | 100 | | | ns |
| Data Hold time after -IOW | tDW | 10 | | | ns |
| Pulse Width of -IOW | tWW | 200 | | | ns |
| INT Delay time from -IOR (*1) | tRI | | | 500 | ns |
| INT Delay time from -IOW (*1) | tWI | | | 500 | ns |
| INTRQ Delay time from -IOR (*1) | tRIR | | | 500 | ns |
| INTRQ Delay time from -IOW (*1) | tWIR | | | 500 | ns |
| DMA Cycle time (*1) | tDRQCY | 13 | | | us |
| DRQ Delay time from -DACK | tACDRQ | | | 200 | ns |
| -IOR Delay time from DRQ (*1) | tDRQR | 800 | | | ns |
| -IOW Delay time from DRQ (*1) | tDRQW | 250 | | | ns |
| -IOR/-IOW Delay time from DRQ (*1) | tDRQRW | | | 12 | us |
| DMA Cycle time (*1) | tDRQ2CY | 13 | | | us |
| DRQ2 Delay time from -DACK2 | tACDRQ2 | | | 200 | ns |
| -IOR Delay time from DRQ2 | tDRQ2R | 0 | | | ns |
| -IOW Delay time from DRQ2 | tDRQ2W | 0 | | | ns |
| -IOR/-IOW Delay time from DRQ2 (*1) | tDRQ2RW | | | 11 | us |
| Pulse Width of -DACK2 (*1) | tAA | 250 | | | ns |
| -DACK2 Setup time before -IOR | tACR | 0 | | | ns |
| -DACK2 Hold time after -IOR | tRAC | 0 | | | ns |
| -DACK2 Setup time before -IOW | tACW | 0 | | | ns |
| -DACK2 Hold time after -IOW | tWAC | 0 | | | ns |
| Pulse Width of DMATC (*1) | tTC | 125 | | | ns |
| DS Setup time before STP (*1) | tDSST | 21 | | | us |
| DS Hold time after STP (*1) | tSTDS | 5 | | | us |
| DR Setup time before STP (*1) | tDST | 1 | | | us |
| DR Hold time after STP (*1) | tSTD | 24 | | | us |
| Pulse Width of STP (*1) | tSTP | | 7 | | us |

continue

TC8566AF-59

080288

793

FLOPPY DISK CONTROLLER

| ITEM | SYMBOL | MIN. | TYP. | MAX. | UNIT |
|-------------------------------|--------|------|------|------|------|
| Pulse Width of WDT | tWDD | | 250 | | ns |
| Pulse Width of WDT1 (*1) | tWDD1 | | 250 | | ns |
| Low Level Pulse Width of -RDT | tRDD1 | 130 | | | ns |
| High Level Pulse Width of RDT | tRDD2 | 130 | | | ns |
| Pulse Width of FR (*1) | tFR | 8 | | 10 | us |
| Pulse Width of -IDX (*1) | tIDX | 250 | | | ns |

Comment

The values for 8" mode are in the above list.
The values which are marked (*1) should be doubled for mini-floppy mode.

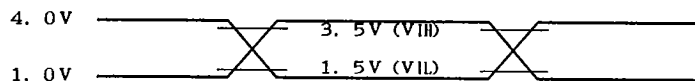
TC8566AF-60

080288

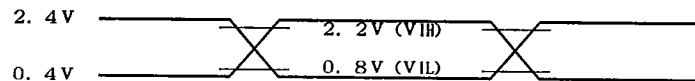
794

6.4.1. AC TEST INPUT WAVE FORM

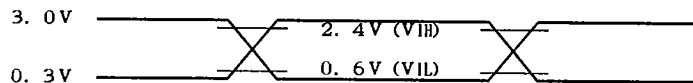
Input Terminal Group 1 : XIN Input



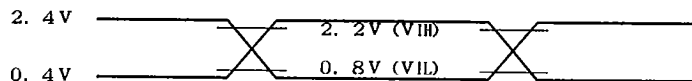
Input Terminal Group 2 : Input with Pull-up Device



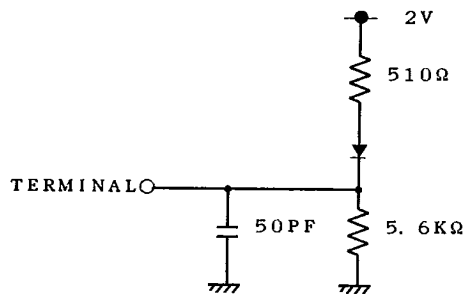
Input Terminal Group 3, 4 : Schmitt trigger



Input Terminal Group 5 : The other Input and Data Bus



6.4.2. OUTPUT LOAD CIRCUIT



TC8566AF-61

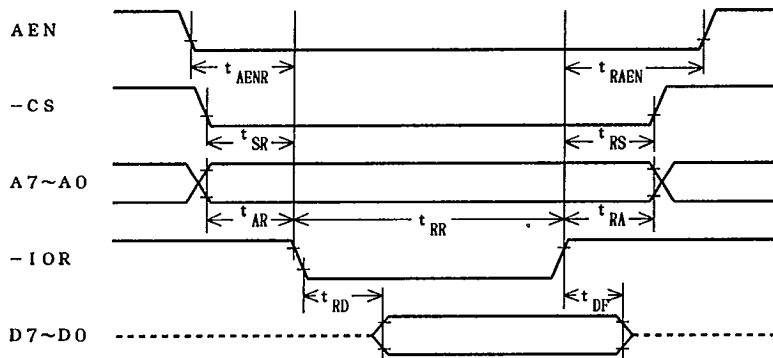
080288

795

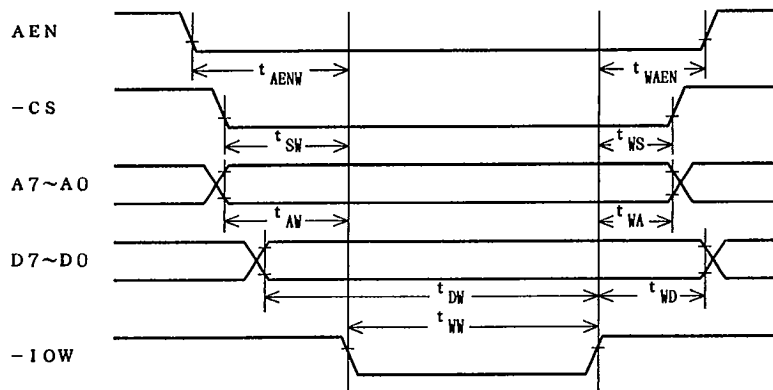
FLOPPY DISK CONTROLLER

6.4.3. TIMING CHART

(1) Read Operation



(2) Write Operation



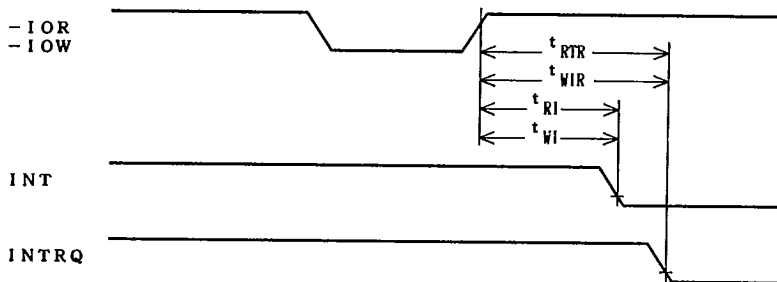
TC8566AF-62

080288

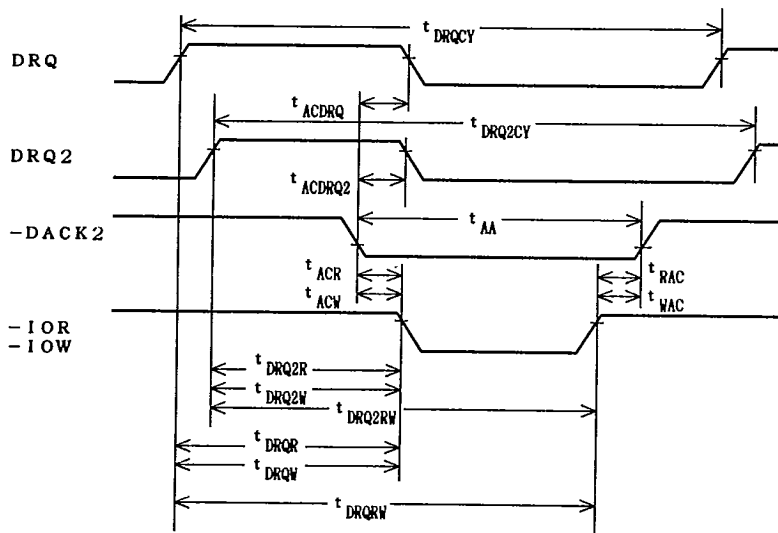
796

FLOPPY DISK CONTROLLER

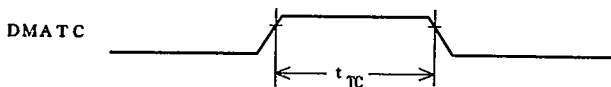
(3) Non - DMA Operation



(4) DMA Operation



(5) Terminal Count Wave Form



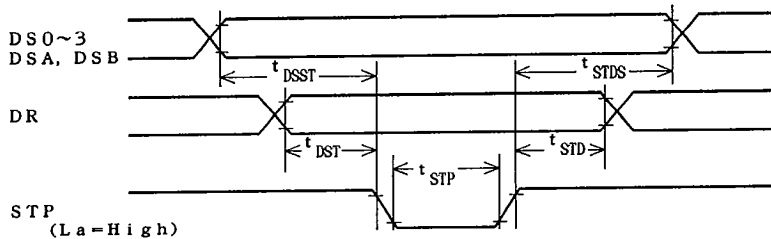
TC8566AF-63

080288

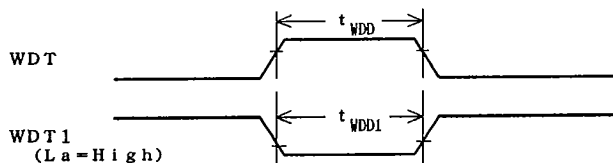
797

FLOPPY DISK CONTROLLER

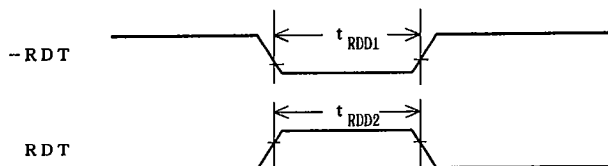
(6) Seek Operation (CDS = Low)



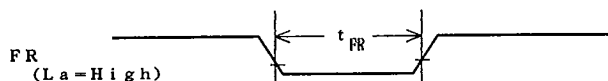
(7) Write Data Wave Form



(8) Read Data Wave Form



(9) Fault Reset Wave Form

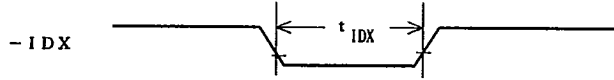


TC8566AF-64

080288

798

(10) Index Wave Form



6

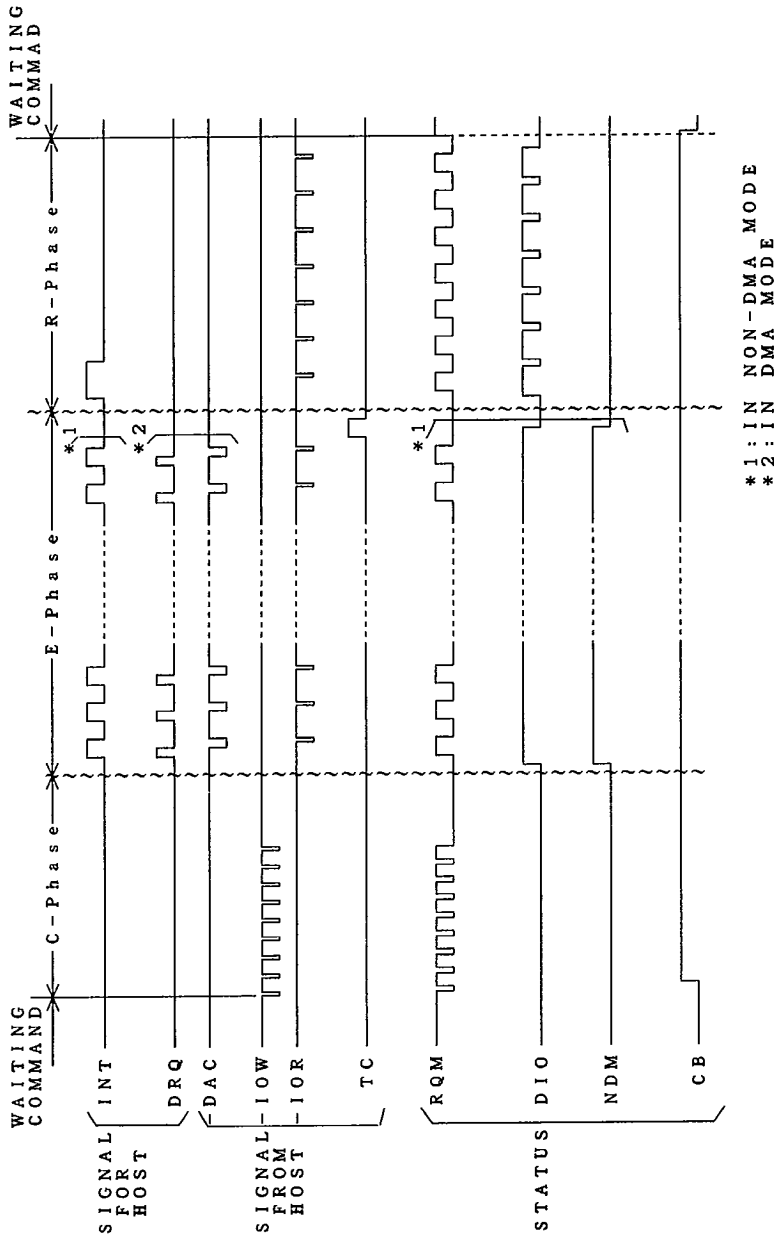
TC8566AF-65

080288

799

FLOPPY DISK CONTROLLER

Fig.5.2.7. Operation Timings of The READ DATA COMMAND



TC8566AF-66

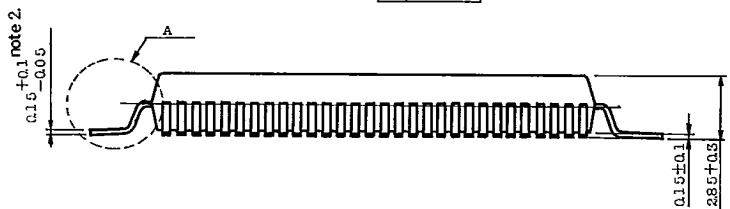
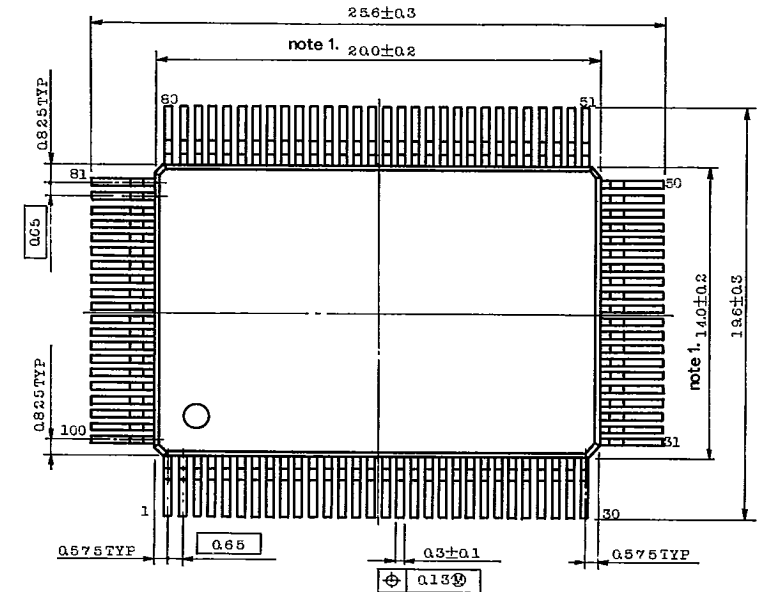
080288

800

7. PACKAGE DIMENSION

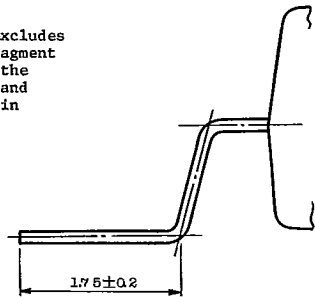
100PIN FLAT PLASTIC PACKAGE

unit: mm



note 1: Outline dimension of the mold excludes of the remainder of the mold fragment and the tie-bar-cut. However, the remainder of the mold fragment and the tie-bar-cut are 0.15mm Max in each side.

note 2: Apily to the flat part of the lead.



Detail figure of A



TC8566AF-67

080288

801